

WALL LOUVER SYSTEM

ALUMINUM. IMPACT RESISTANT.



MIAMI-DADE COUNTY, FLORIDA
NOA NO. 17-0919.08
EXPIRATION DATE 6/30/2020
APPROVAL DATE 12/28/2017

PAGE
1 OF 1

(ENGINEER'S)
OPTIONAL ALUMINUM SLEEVE INSTALLATION

MODEL WLF-DA15: 6" DEEP FIXED HURRICANE LOUVER W/ SLEEVE

MIAMI-DADE, FLORIDA, NOA NO. 17-0919.08

EXPIRATION DATE: JUNE 30, 2020

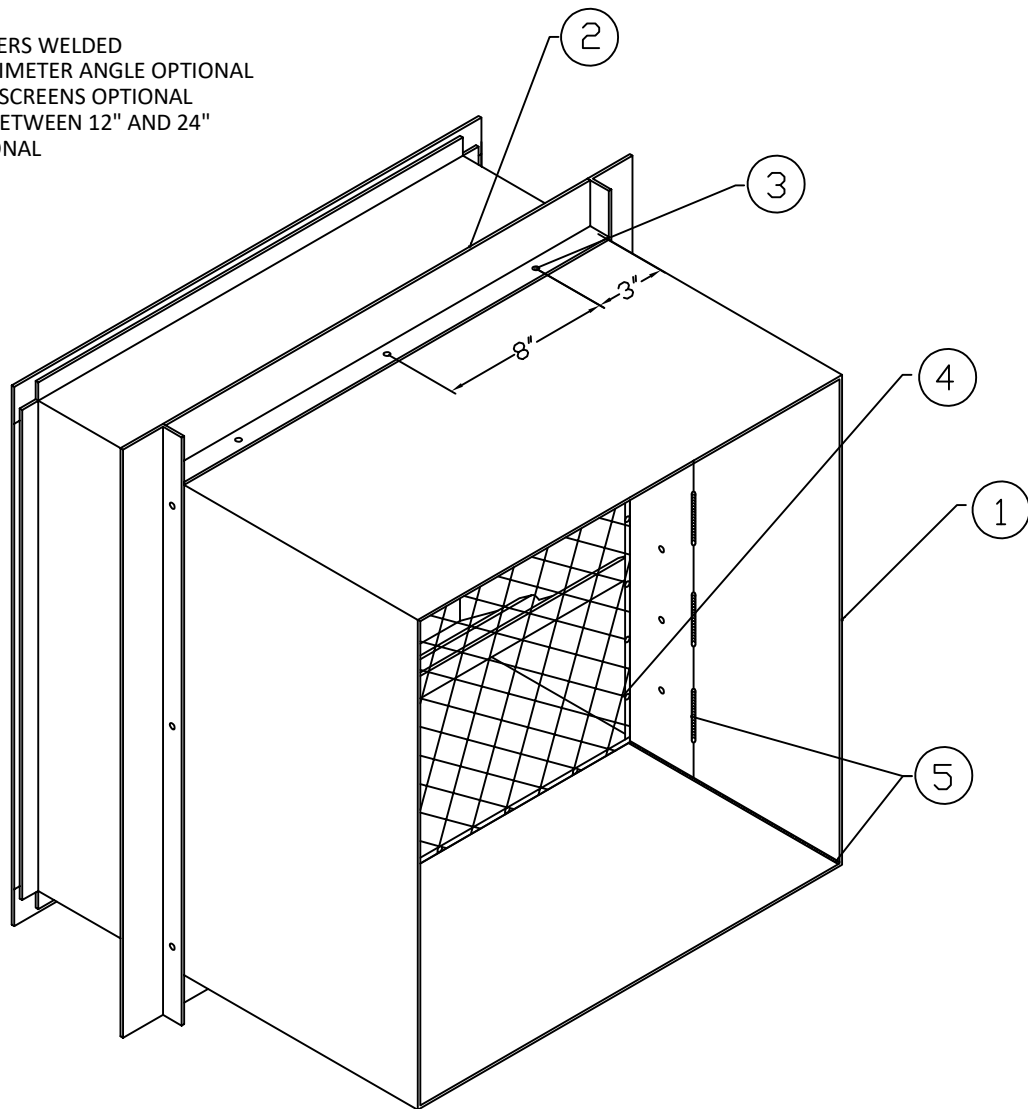
APPROVAL DATE: DECEMBER 28, 2017

PARTS:

1. ALUMINUM SLEEVE (1/8" ALUMINUM SHEET 3003 H-14)
2. ALUMINUM PERIMETER ANGLE 2" X 1" X 1/8"
3. 1/4" X 1" HWH SS SCREWS (8" O.C. 3" FROM END)
(FIELD INSTALLED - NOT INCLUDED)
4. 3/4" X .051" EXPANDED ALUMINUM BIRD SCREEN
5. WELD LINES

NOTES:

- ALL FOUR CORNERS WELDED
- ALUMINUM PERIMETER ANGLE OPTIONAL
- BIRD OR INSECT SCREENS OPTIONAL
- SLEEVE DEPTH BETWEEN 12" AND 24"
- DAMPERS OPTIONAL



WLF-DA15 SLEEVE

OPTIONAL SLEEVE INSTALLATION WITH BIRD SCREEN
OR INSECT SCREEN

NOTE: ALL DRAWINGS SUBJECT TO CHANGE WITHOUT PRIOR NOTICE.



Grille tech inc.

DRAWN BY: MR	DATE: 08/25/17	SCALE: NOT TO SCALE	DRAWING NO. WLF-DA15 SLEEVE
CHECKED BY: IG	DATE: 08/28/17	REVISION: 1/16/18	