

STANDARD CONSTRUCTION
FRAME:

EXTRUDED ALUMINUM CONSTRUCTION.
FRAME IS ASSEMBLED USING CORNER CLIPS TO ASSURE
HAIRLINE MITERED CORNERS.

ACCESS DOORS:

MADE OF STUCCO EMBOSSED GALV-ALUM SHEET (AZ50)
WITH A PERIMTER ALUMINUM CHANNEL AND 13/16"
LIGHTWEIGHT FOIL FACED FIBERGLASS BOARD FOR
INSULATION AND SOUND ATTENUATION.

FINISH:

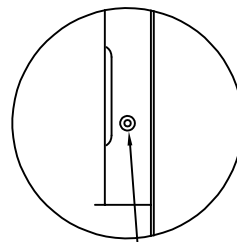
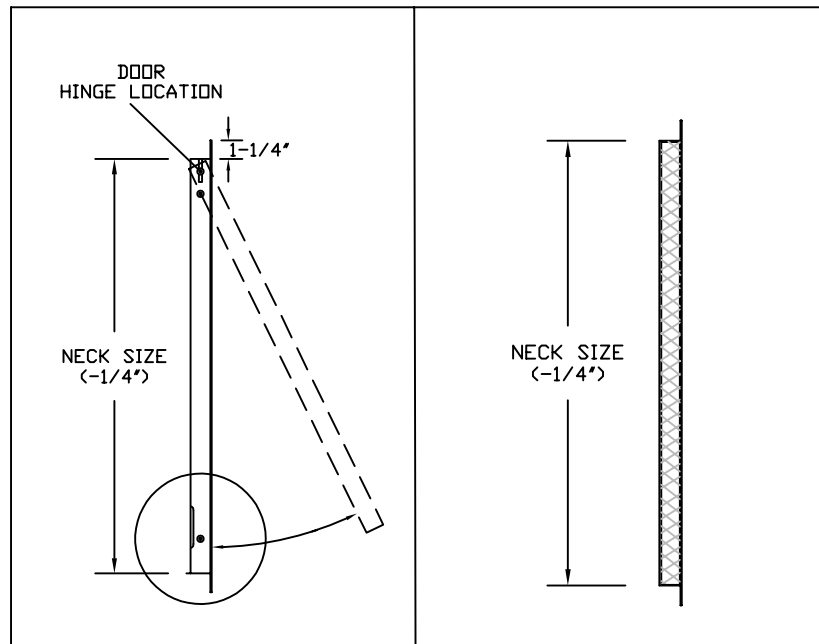
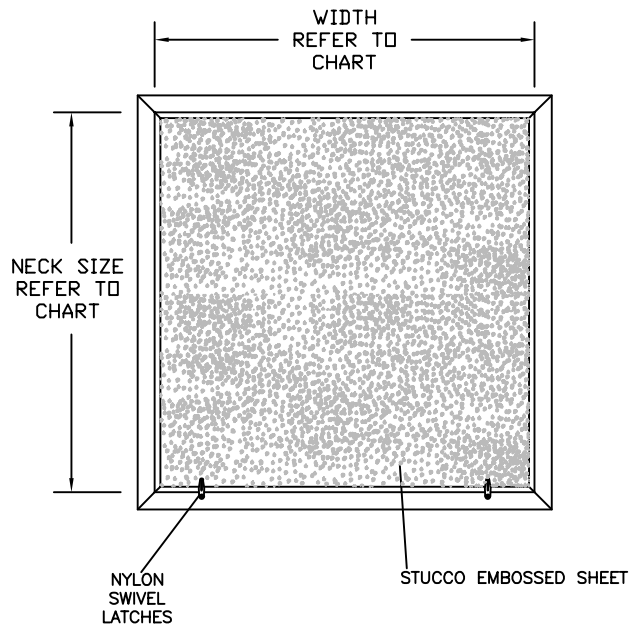
SKY-WHITE (STANDARD)

AXALTA SKY-WHITE 100% POLYESTER POWDER COATING
GIVES AN ATTRACTIVE BRIGHT WHITE FINISH AND
PROVIDES ADDITIONAL PROTECTION FROM AGING AND
WEAR.

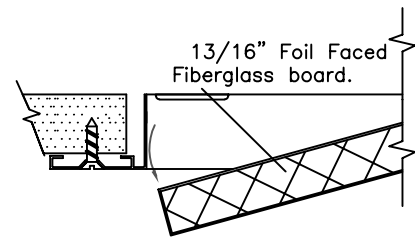
STANDARD SIZES AVAILABLE:

6" X 6"
8" X 8"
10" X 10"
12" X 12"
14" X 14"
16" X 16"
18" X 18"
20" X 20"
22" X 22"
24" X 24"

- CUSTOM SIZES AVAILABLE UPON REQUEST.
- MAXIMUM SINGLE DOOR SIZE 36" X 36"



HIDDEN INSTALLATION
SCREW HOLE (2 PER SIDE)



JOB NAME:
LOCATION:
ARCHITECT:
ENGINEER:
CONTRACTOR:
CONTACT GRILLE TECH INC. FOR ADDITIONAL INFORMATION OR WITH SPECIAL REQUIREMENTS.
5101 NW 36TH AVE MIAMI, FL 33142 PHONE: 305-537-0053 FAX: 305-537-0064
WEB: WWW.GRILLETECHINC.COM EMAIL: SALES@GRILLETECHINC.COM

WAPI

SINGLE DOOR WALL ACCESS PANEL
WITH INSULATION

NOTE: ALL DRAWINGS SUBJECT TO CHANGE WITHOUT PRIOR NOTICE.

DRAWN BY: MR	DATE: 8/11/17	SCALE: NOT TO SCALE	DRAWING NO. WAPI
CHECKED BY: IG	DATE: 8/11/17	REVISION: 6/18/18	