

STANDARD CONSTRUCTION
FRAME:

EXTRUDED ALUMINUM.
CORNER CLIPS ASSURE HAIRLINE MITERED CORNERS.
DESIGNED TO ACCOMMODATE 1" THICK WIRE-REINFORCED WASHABLE HOG HAIR FILTER (FILTER PROVIDED)

BLADES:

ROLL FORMED ALUMINUM.
ALL BLADES FIXED AT 45° IN AN ALL ALUMINUM CORE FRAME.

ACCESS DOORS:

MADE OF STUCCO EMBOSSED GALV-ALUM STEEL SHEET (AZ50) WITH A PERIMETER ALUMINUM CHANNEL AND 1" R-4.2 FOIL FACED FIBERGLASS BOARD FOR INSULATION AND SOUND ATTENUATION.

INSTALLATION:

ALLOW 2-1/2" CLEARANCE WHEN INSTALLING BELOW JOHNSON CONTROLS INDOOR UNIT.

FINISH:

SKY-WHITE (STANDARD)

AXALTA SKY-WHITE 100% POLYESTER POWDER COATING GIVES AN ATTRACTIVE BRIGHT WHITE FINISH AND PROVIDES ADDITIONAL PROTECTION FROM AGING AND WEAR

STANDARD SIZES:

	JOHNSON CONTROLS MODEL	GRILLE TECH INC PANEL
1	(H,Y) IDM006,008,012,015B22S	APRFJCI06-15
2	(H,Y) IDM018,024,027B22S	APRFJCI18-27
3	(H,Y) IDM030,036,048,054B22S	APRFJCI30-54

* GRILLE TECH PANELS WORK WITH BOTH MEDIUM AND HIGH STATIC JCI MODELS ABOVE.

FRAME CHART					
	MODEL	WIDTH	HEIGHT		
1	APRFJCI06-15	36-3/4"	43-3/4"		
2	APRFJCI18-27	50-3/4"	47-3/4"		
3	APRFJCI30-54	64-3/4"	47-3/4"		
RETURN AIR CORE CHART			SERVICE DOOR CHART		
	WIDTH	HEIGHT		WIDTH	HEIGHT
1	36-1/2"	7-1/2"	1	36-1/2"	36"
2	50-1/2"	11-1/2"	2	50-1/2"	36"
3	64-1/2"	11-1/2"	3	64-1/2"	36"

JOB NAME: _____

LOCATION: _____

ARCHITECT: _____

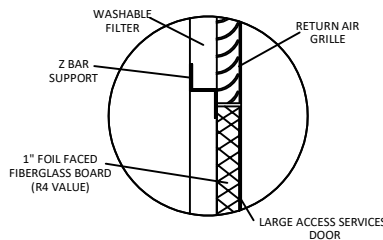
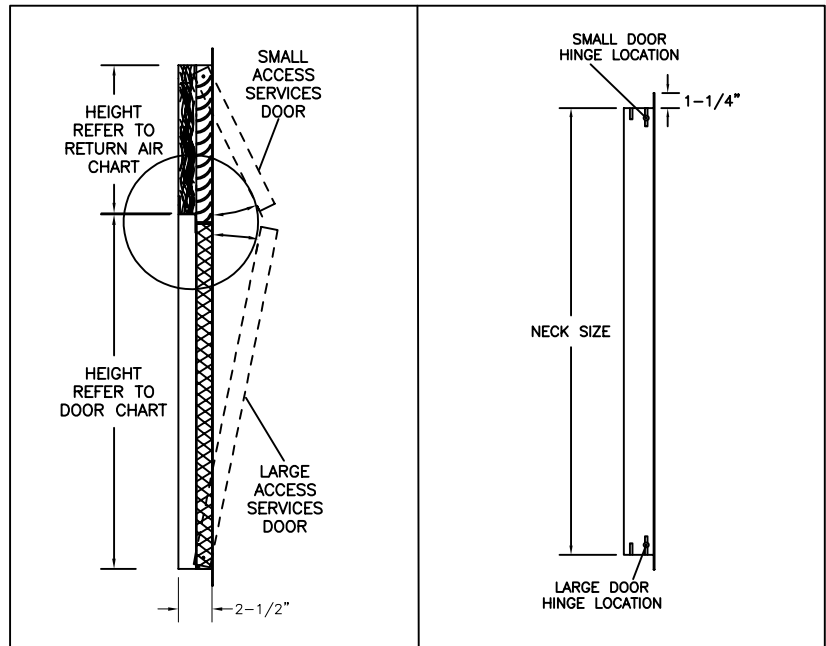
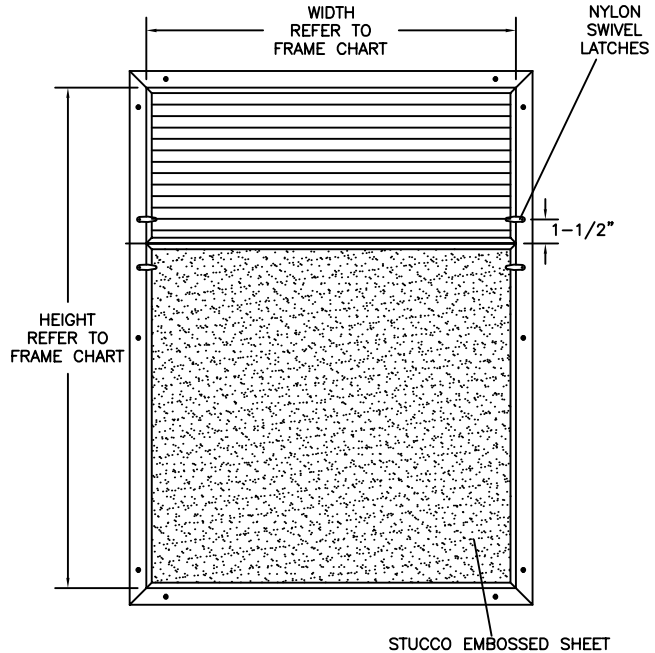
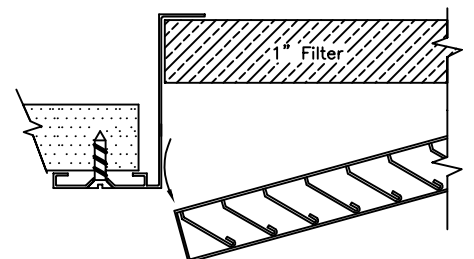
ENGINEER: _____

CONTRACTOR: _____

CONTACT GRILLE TECH INC. FOR ADDITIONAL INFORMATION OR WITH SPECIAL REQUIREMENTS.

5101 NW 36TH AVE
MIAMI, FL 33142
PHONE: 305-537-0053
FAX: 305-537-0064

WEB: WWW.GRILLETECHINC.COM
EMAIL: SALES@GRILLETECHINC.COM


STANDARD FASTENING DETAIL

JOHNSON CONTROLS VRF AIR CONDITIONERS

ACCESS PANEL / RETURN AIR WITH FILTER
PRODUCT SPECIFICATIONS

NOTE: ALL DRAWINGS SUBJECT TO CHANGE WITHOUT PRIOR NOTICE.

DRAWN BY: MR	DATE: 8/11/17	SCALE: NOT TO SCALE	DRAWING NO. VRF SERIES
CHECKED BY: IG	DATE: 4/10/19	REVISION: 4/10/19	