

STANDARD CONSTRUCTION
FRAME:

 6063T5 EXTRUDED ALUMINUM
 NOMINAL WALL THICKNESS OF 0.050"

SUPPLY CORE:

 6063T5 EXTRUDED ALUMINUM
 NOMINAL WALL THICKNESS OF 0.045"

RETURN CORE:

 1/2" x 1/2" x 1/2" ALUMINUM CUBE CORE PERMANENTLY FASTENED
 TO THE SUPPLY CORE INTERIOR.

FEATURES:

 EXTRUDED ALUMINUM PROVIDES SUPERIOR DURABILITY AND
 CORROSION RESISTANCE.
 SUPPLY SECTION IS A FIXED (NON-REMOVABLE) CORE, 4-WAY
 DISCHARGE.
 DIFFUSER INTENDED FOR SUPPLY/RETURN USE IN CONJUNCTION WITH
 A ROOFTOP HANDLER.

FINISH:

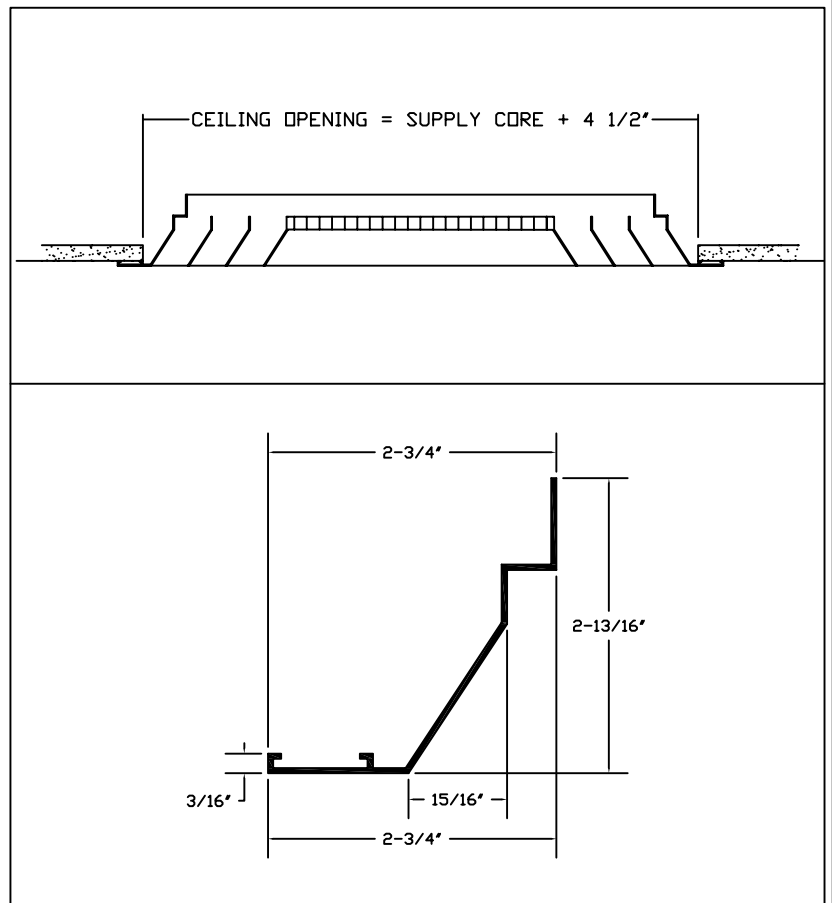
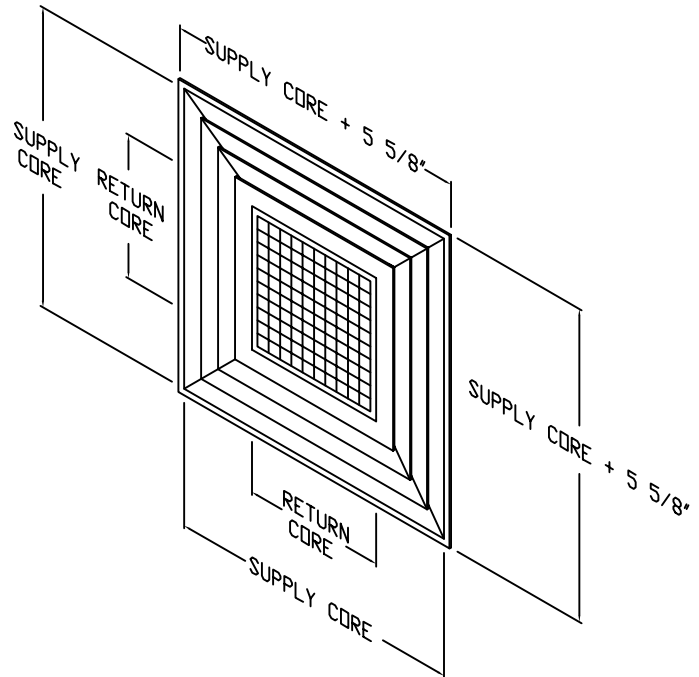
SKY-WHITE POWDER COAT AXALTA 100% POLYESTER (STANDARD)

STANDARD SIZES:

MODEL	OPENING DIMENSIONS	
	SUPPLY CORE	RETURN CORE
URC51209	12" X 12"	9" X 9"
URC51509	15" X 15"	9" X 9"
URC51812*	18" X 18"	12" X 12"
URC51815*	18" X 18"	15" X 15"
URC52115	21" X 21"	15" X 15"
URC52418	24" X 24"	18" X 18"
URC52718	27" X 27"	18" X 18"
URC53021	30" X 30"	21" X 21"
URC53321	33" X 33"	21" X 21"
URC53624	36" X 36"	24" X 24"
URC53927	39" X 39"	27" X 27"
URC54227	42" X 42"	27" X 27"
URC54230	42" X 42"	30" X 30"
URC54233	42" X 42"	33" X 33"
URC54530	45" X 45"	30" X 30"
URC54833	48" X 48"	33" X 33"
URC55436	54" X 54"	36" X 36"
URC56045	60" X 60"	45" X 45"

* SIZES 1812 AND 1815 ARE SUITABLE FOR T-BAR INSTALLATION

JOB NAME:
LOCATION:
ARCHITECT:
ENGINEER:
CONTRACTOR:
CONTACT GRILLE TECH INC. FOR ADDITIONAL INFORMATION OR WITH SPECIAL REQUIREMENTS.
5101 NW 36TH AVE MIAMI, FL 33142 PHONE: 305-537-0053 FAX: 305-537-0064
WEB: WWW.GRILLETECHINC.COM EMAIL: SALES@GRILLETECHINC.COM


**MODEL URC5
CONCENTRIC DIFFUSER**

NOTE: ALL DRAWINGS SUBJECT TO CHANGE WITHOUT PRIOR NOTICE.

DRAWN BY: MR	DATE: 6/09/17	SCALE: NOT TO SCALE	DRAWING NO.
CHECKED BY: IG	DATE: 6/30/17	REVISION: 6/09/17	URC5

URC5 Supply/Return (pg. 1 of 3)

Louvered Supply / Cube Core Return

Neck Velocity	FPM	200	300	400	500	600	700	800
Face Velocity	FPM	500	750	1000	1250	1500	1750	2000
NECK SIZE	Ps	.014	.030	.060	.080	.130	.160	.220
	Pt	.018	.060	.080	.120	.170	.210	.270
Supply 12 x 12" Ak .17	CFM Throw	90 2-4	135 3-5	180 5-7	225 6-9	270 6-12	315 7-13	360 8-14
Return 9 x 9" Ak .55	CFM IN Veloc. Ps NC	68 121 .01 <20	101 180 .01 <20	135 241 .01 20	169 301 .01 25	203 363 .02 30	236 421 .03 35	270 482 .04 40
Supply 15 x 15" Ak .39	CFM Throw	200 3-5	300 5-8	400 6-9	500 6-12	600 7-14	700 8-17	800 10-19
Return 9 x 9" Ak .55	CFM IN Veloc. Ps NC	150 268 .01 <20	225 402 .02 <20	300 536 .05 20	375 670 .06 25	450 804 .09 35	525 938 .14 40	600 1071 .16 45
Supply 18 x 18" Ak .49	CFM Throw	250 3-6	375 4-8	500 6-11	625 6-13	750 8-14	875 9-16	1000 10-19
Return 12 x 12" Ak .99	CFM IN Veloc. Ps NC	188 188 .01 <20	282 281 .01 <20	375 375 .02 24	469 469 .04 30	563 563 .04 35	656 656 .06 38	750 750 .09 42
Supply 18 x 18" Ak .27	CFM Throw	140 4-7	196 5-8	280 6-12	350 7-13	420 8-15	490 9-16	560 11-20
Return 15 x 15" Ak 1.55	CFM IN Veloc. Ps NC	105 67 .01 <20	147 94 .02 <20	210 135 .03 20	263 169 .05 25	315 202 .07 30	368 236 .09 35	420 269 .10 40
Supply 21 x 21" Ak .59	CFM Throw	300 3-5	450 4-8	600 5-12	750 7-13	900 8-15	1050 9-17	1200 11-19
Return 15 x 15" Ak 1.55	CFM IN Veloc. Ps NC	325 144 .01 <20	338 216 .01 <20	450 288 .02 25	563 361 .03 30	675 433 .04 35	788 505 .05 40	900 576 .06 45
Supply 24 x 24" Ak .69	CFM Throw	350 3-5	525 4-8	700 5-11	875 6-13	1050 8-16	1225 10-20	1400 13-25
Return 18 x 18" Ak 2.24	CFM IN Veloc. Ps NC	263 117 .01 <20	394 175 .01 <20	525 233 .01 25	656 292 .01 32	788 350 .02 36	919 408 .04 40	1050 467 .05 43

(Continued on next two pages)

URC5 Supply/Return (pg. 2 of 3)

Louvered Supply / Cube Core Return

Neck Velocity	FPM	200	300	400	500	600	700	800
Face Velocity	FPM	500	750	1000	1250	1500	1750	2000
NECK SIZE	Ps	.014	.030	.060	.080	.130	.160	.220
	Pt	.018	.060	.080	.120	.170	.210	.270
Supply 27 x 27" Ak 1.09	CFM Throw	550 3-5	825 4-8	1100 5-11	1375 6-13	1650 8-16	1925 10-20	2200 13-25
Return 18 x 18" Ak 2.24	CFM IN Veloc. Ps NC	413 184 .01 <20	619 275 .01 <20	825 367 .02 25	1031 458 .04 35	1238 550 .05 40	1444 642 .07 42	1650 550 .08 45
Supply 30 x 30" Ak 1.29	CFM Throw	650 3-7	975 5-12	1300 7-16	1625 9-17	1950 11-21	2275 13-25	2600 15-30
Return 21 x 21" Ak 3.05	CFM IN Veloc. Ps NC	488 159 .01 <20	731 238 .01 20	975 318 .01 28	1218 397 .03 35	1463 477 .04 40	1700 553 .05 40	1950 635 .06 45
Supply 33 x 33" Ak 1.79	CFM Throw	900 4-8	1350 6-13	1800 8-17	2250 11-23	2700 15-30	3130 17-33	3600 19-37
Return 21 x 21" Ak 3.05	CFM IN Veloc. Ps NC	675 219 .01 <20	1012 330 .02 20	1350 440 .04 30	1687 550 .05 35	2025 660 .07 40	2363 770 .10 45	2700 879 .12 45
Supply 36 x 36" Ak 1.99	CFM Throw	1000 4-8	1500 5-13	2000 8-18	2500 12-21	3000 15-28	3500 17-34	4000 21-39
Return 24 x 24" Ak 3.99	CFM IN Veloc. Ps NC	750 188 .01 <20	1125 283 .02 20	1500 376 .03 28	1875 471 .04 35	2250 565 .05 40	2625 660 .07 45	3000 754 .10 47
Supply 39 x 39" Ak 2.19	CFM Throw	1100 5-10	1650 8-17	2200 11-21	2750 15-23	3300 18-34	3850 25-39	4400 26-41
Return 27 x 27" Ak 5.05	CFM IN Veloc. Ps NC	825 163 .01 <20	1237 244 .01 20	1650 326 .02 30	2062 407 .03 35	2475 489 .05 40	2887 570 .06 45	3300 652 .07 48
Supply 42 x 42" Ak 2.89	CFM Throw	1450 4-10	2175 10-21	2900 14-28	3625 18-34	4350 21-39	5075 25-43	5800 28-49
Return 27 x 27" Ak 5.05	CFM IN Veloc. Ps NC	1087 215 .01 <20	1631 322 .02 25	2175 430 .04 30	2720 538 .05 36	3263 645 .07 41	3806 752 .09 45	4350 860 .12 48

(Continued on next page)

URC5 Supply/Return (pg. 3 of 3)

Louvered Supply / Cube Core Return

Neck Velocity	FPM	200	300	400	500	600	700	800
Face Velocity	FPM	500	750	1000	1250	1500	1750	2000
NECK SIZE	Ps	.014	.030	.060	.080	.130	.160	.220
	Pt	.018	.060	.080	.120	.170	.210	.270
Supply 42 x 42" Ak 2.39	CFM Throw	1195 4-10	1793 8-17	2390 11-21	2988 15-24	3585 18-33	4183 24-38	4780 25-45
Return 30 x 30" Ak 6.24	CFM IN Veloc. Ps NC	896 142 .01 <20	1345 213 .01 <20	2175 345 .02 25	2241 356 .03 35	2689 427 .04 35	3137 498 .05 40	3585 569 .06 45
Supply 42 x 42" Ak 1.86	CFM Throw	950 4-9	1430 6-13	1900 8-17	2380 12-22	2850 15-29	3330 16-31	3800 20-38
Return 33 x 33" Ak 7.55	CFM IN Veloc. Ps NC	712 94 .01 <20	1073 141 .01 20	14-25 188 .02 25	17-85 235 .03 35	21-38 281 .04 35	24-98 329 .05 40	28-50 375 .05 45
Supply 45 x 45" Ak 2.54	CFM Throw	1315 5-10	1973 9-20	2630 13-23	3288 16-28	3945 19-38	4602 27-45	5260 24-50
Return 33 x 33" Ak 7.55	CFM IN Veloc. Ps NC	986 131 .01 <20	1479 196 .01 22	1973 262 .02 28	2465 327 .03 35	2958 392 .04 40	3452 458 .05 44	3945 523 .06 48
Supply 48 x 48" Ak 3.36	CFM Throw	1680 6-11	2520 11-23	3360 16-24	4200 21-29	5040 23-40	5880 29-47	6720 34-54
Return 36 x 36" Ak 7.55	CFM IN Veloc. Ps NC	1260 166 .01 <20	1890 250 .02 23	2520 332 .03 35	3150 416 .04 40	3780 499 .05 43	4410 582 .06 45	5040 665 .07 49
Supply 60 x 60" Ak 4.38	CFM Throw	2190 7-14	3280 14-25	4375 19-30	5470 23-33	6570 26-45	7670 33-52	8760 38-57
Return 45 x 45" Ak 14.08	CFM IN Veloc. Ps NC	1640 115 .003 <20	2460 176 .004 27	3280 237 .008 31	4100 292 .012 35	4930 352 .021 38	5750 412 .023 41	6570 467 .029 46
Supply 60 x 57" Ak 4.96	CFM Throw A	2480 11-18	3715 12-18	4950 16-27	6190 22-34	7430 26-39	8665 32-49	9900 35-52
Return 42 x 39" Ak 11.38	Throw B CFM IN Veloc. Ps NC	1860 166 .01 20	2790 244 .01 25	3710 324 .01 30	4640 411 .02 35	5570 491 .03 40	6500 569 .05 45	7425 654 .06 50