

STANDARD CONSTRUCTION
FRAME:

COMPLETE MOLDED R6 INSULATED BACK.
MODULE SIZE: 24" X 24"

FEATURES:

SUPERIOR SOUND ABSORPTION.
LIGHT WEIGHT - EASILY SUSPENDED.
CONDENSATION FREE OPERATION.
THE MOLDED BACK IS EASILY CUT WITH A POCKET
KNIFE AND THE CENTER CONNECTION PROVIDES A
VERY UNIFORM, WIDELY DISPERSED, AIR FLOW
WITHOUT DOWNDRAFTS.

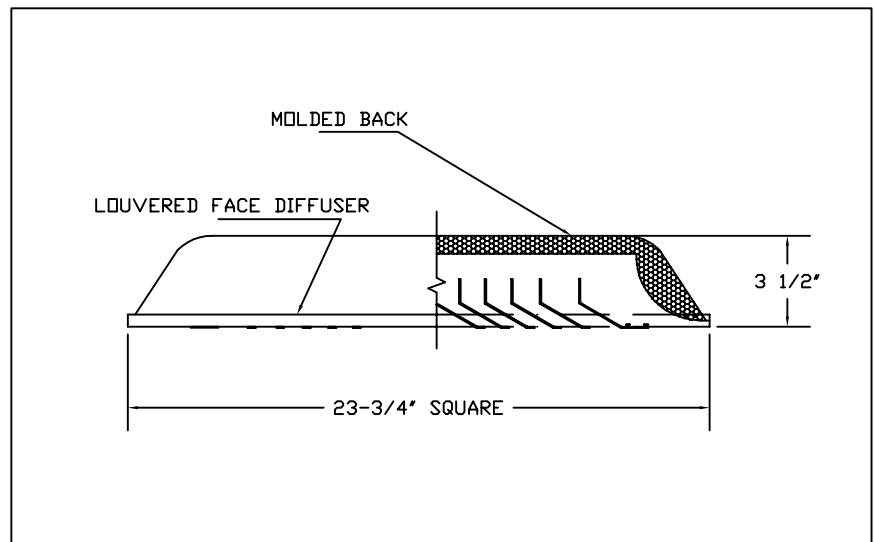
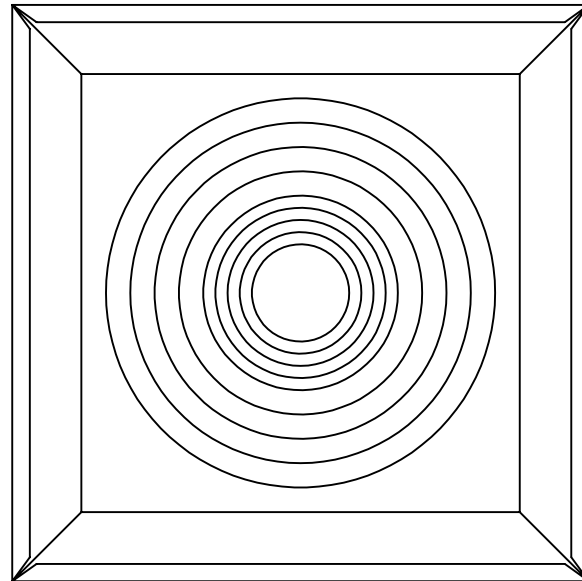
FINISH:

SKY-WHITE (STANDARD)
MILL FINISH (OPTIONAL)

AXALTA SKY-WHITE 100% POLYESTER POWDER
COATING GIVES AN ATTRACTIVE BRIGHT WHITE
FINISH AND PROVIDES ADDITIONAL PROTECTION
FROM AGING AND WEAR.

AVAILABLE CORE SIZES:

6" X 6"
9" X 9"
12" X 12"
15" X 15"
18" X 18"



JOB NAME:
LOCATION:
ARCHITECT:
ENGINEER:
CONTRACTOR:
CONTACT GRILLE TECH INC. FOR ADDITIONAL INFORMATION OR WITH SPECIAL REQUIREMENTS.
5101 NW 36TH AVE MIAMI, FL 33142 PHONE: 305-537-0053 FAX: 305-537-0064
WEB: WWW.GRILLETECHINC.COM EMAIL: SALES@GRILLETECHINC.COM

MODEL UHU

ALUMINUM DIRECTIONAL LOUVERED FACE
DIFFUSER WITH MOLDED UNIVERSAL BACK

NOTE: ALL DRAWINGS SUBJECT TO CHANGE WITHOUT PRIOR NOTICE.

DRAWN BY:	MR	DATE:	8/23/17	SCALE:	NOT TO SCALE
CHECKED BY:	IG	DATE:	8/31/17	REVISION:	8/23/17

DRAWING NO.

UHU