

STANDARD CONSTRUCTION
BODY:

26 GAUGE ASTM A-653 HOT-DIPPED GALVANIZED STEEL SHEET

FEATURES:

26 GAUGE GALVANIZED STEEL PROVIDES EXCELLENT CORROSION RESISTANCE AND LONGEVITY.

OPTIONS:

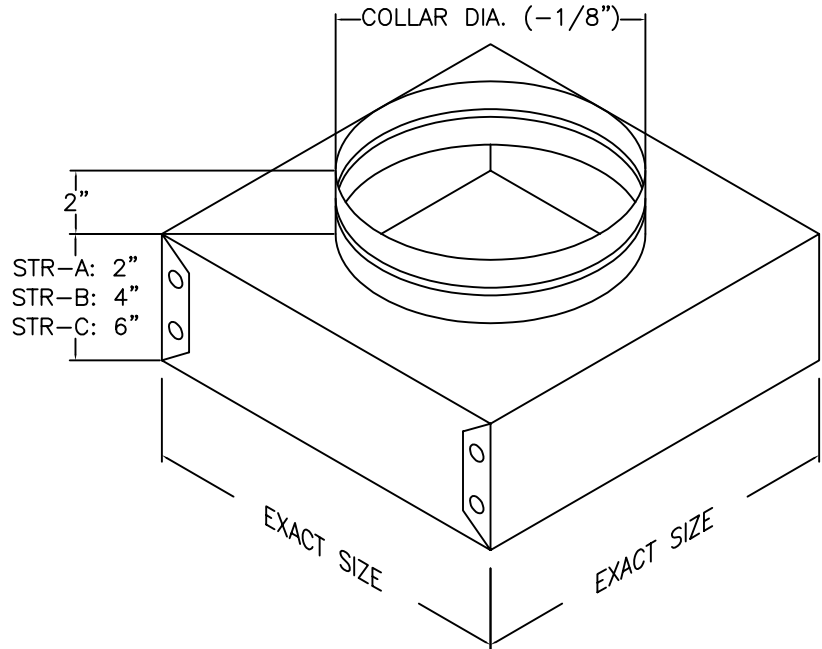
MULTIPLE BODY HEIGHTS AVAILABLE (STRG-A: 2" STANDARD) (1" MIN).
 MULTIPLE COLLAR DIAMETERS AVAILABLE.
 CUSTOM SIZES AVAILABLE.
 EXTENDED BODY HEIGHT AVAILABLE.

FINISH:

MILL FINISH (STANDARD)
 FLAT BLACK POWDER COATING AVAILABLE.

STANDARD SIZES:

MODEL	LENGTH	WIDTH	COLLAR DIA.
STRG0606	6"	6"	4" - 6"
STRG0808	8"	8"	4" - 8"
STRG1010	10"	10"	4" - 10"
STRG1212	12"	12"	4" - 12"
STRG1414	14"	14"	4" - 14"
STRG1616	16"	16"	4" - 16"
STRG1818	18"	18"	4" - 18"
STRG2020	20"	20"	4" - 20"
STRG2222	22"	22"	4" - 22"
STRG2424	24"	24"	4" - 24"



JOB NAME:
LOCATION:
ARCHITECT:
ENGINEER:
CONTRACTOR:
<p>CONTACT GRILLE TECH INC. FOR ADDITIONAL INFORMATION OR WITH SPECIAL REQUIREMENTS.</p> <p>5101 NW 36TH AVE MIAMI, FL 33142 PHONE: 305-537-0053 FAX: 305-537-0064</p> <p>WEB: WWW.GRILLETECHINC.COM EMAIL: SALES@GRILLETECHINC.COM</p>

MODEL STRG
 SQUARE TO ROUND ADAPTER

DRAWN BY:	MR	DATE:	5/20/17	SCALE:	NOT TO SCALE
CHECKED BY:	IG	DATE:	5/21/17	REVISION:	5/20/17

 DRAWING NO.
STRG