

STANDARD CONSTRUCTION
FRAME:

ALUMINUM RETURN AIR REGISTER.
MOUNTED ON 23-3/4" x 23-3/4" ALUMINUM
PANEL.

FEATURES:

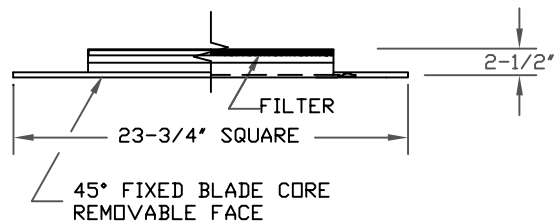
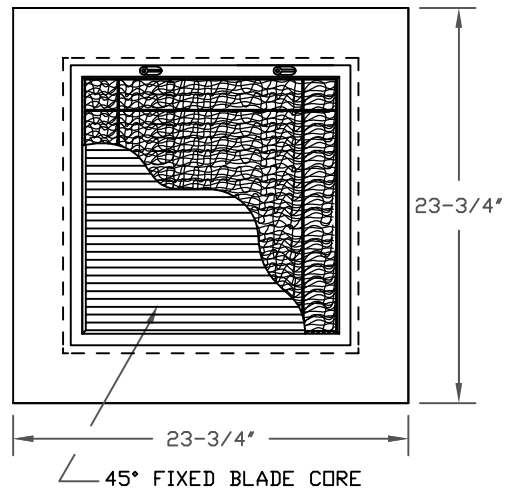
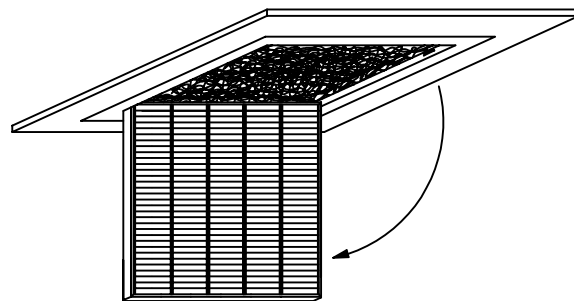
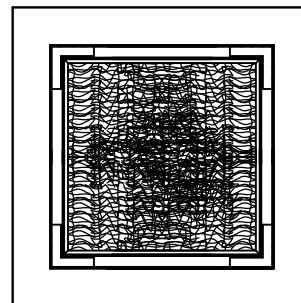
SUPERIOR SOUND ABSORPTION.
LIGHT WEIGHT - EASILY SUSPENDED.
CONDENSATION FREE OPERATION.
45° FIXED BLADE CORE FOR SIGHT PROOF
APPEARANCE.
FILTER MAY BE REMOVED FROM THE FACE
WITHOUT THE USE OF SPECIAL TOOLS.
TEE-BAR PANEL FRAMES.

FINISH:

SKY-WHITE (STANDARD)

AXALTA SKY-WHITE 100% POLYESTER POWDER
COATING GIVES AN ATTRACTIVE BRIGHT WHITE
FINISH AND PROVIDES ADDITIONAL PROTECTION
FROM AGING AND WEAR.

CORE SIZES AVAILABLE	MODULE SIZE
6 X 6	X
9 X 9	X
12 X 12	X
15 X 15	X
18 X 18	X
21 X 21	X


REAR VIEW


JOB NAME:
LOCATION:
ARCHITECT:
ENGINEER:
CONTRACTOR:
<p>CONTACT GRILLE TECH INC. FOR ADDITIONAL INFORMATION OR WITH SPECIAL REQUIREMENTS.</p> <p>5101 NW 36TH AVE MIAMI, FL 33142 PHONE: 305-537-0053 FAX: 305-537-0064</p> <p>WEB: WWW.GRILLETECHINC.COM EMAIL: SALES@GRILLETECHINC.COM</p>

MODEL RAF6A

ALUMINUM PANEL RETURN WITH FILTER

NOTE: ALL DRAWINGS SUBJECT TO CHANGE WITHOUT PRIOR NOTICE.

DRAWN BY:	MR	DATE:	6/19/17	SCALE:	NOT TO SCALE
CHECKED BY:	IG	DATE:	6/30/17	REVISION:	6/19/17

DRAWING NO.
RAF6A