

STANDARD CONSTRUCTION
MATERIAL:

1/2" x 1/2" x 1/2" ALUMINUM CUBE CORE
MOUNTED ON A 23-3/4" x 23-3/4" ALUMINUM PANEL

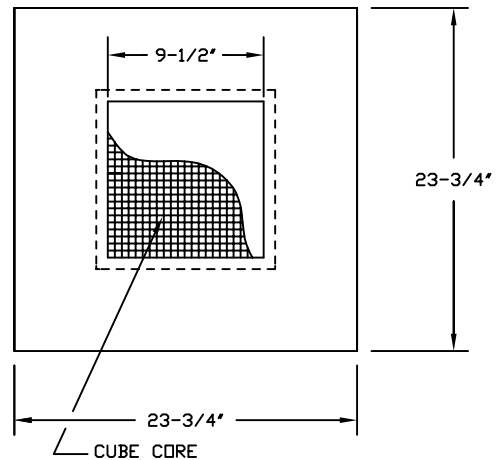
FEATURES:

SUPERIOR SOUND ABSORPTION.
LIGHT WEIGHT - EASILY SUSPENDED.
CONDENSATION FREE OPERATION.
SURFACE MOUNT, TEE-BAR LAY-IN, AND TEE-BAR PANEL
FRAMES.

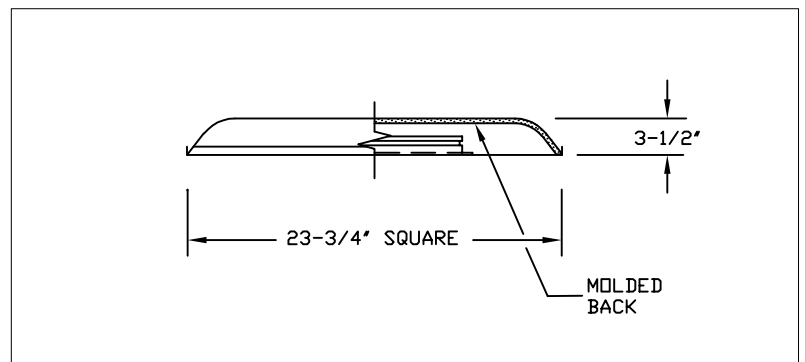
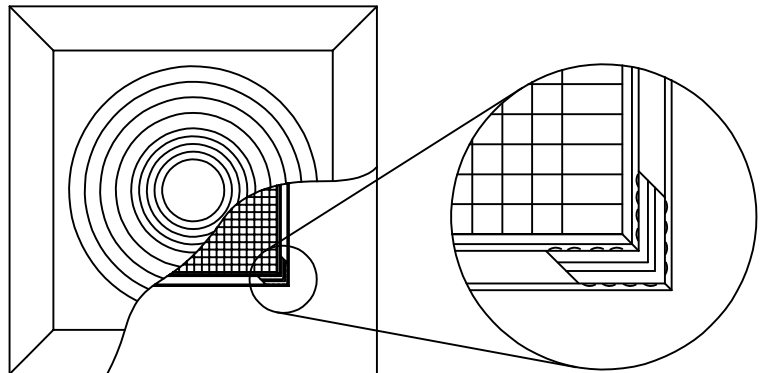
FINISH:

SKY-WHITE (STANDARD)

AXALTA SKY-WHITE 100% POLYESTER POWDER COATING
GIVES AN ATTRACTIVE BRIGHT WHITE FINISH AND PROVIDES
ADDITIONAL PROTECTION FROM AGING AND WEAR.


SIZES:

CORE SIZE	FACE OR CEILING MODULE SIZE
	24 X 24
6 X 6	X
9 X 9	X
12 X 12	X
15 X 15	X
18 X 18	X
21 X 21	X



JOB NAME:
LOCATION:
ARCHITECT:
ENGINEER:
CONTRACTOR:
<p>CONTACT GRILLE TECH INC. FOR ADDITIONAL INFORMATION OR WITH SPECIAL REQUIREMENTS.</p> <p>5101 NW 36TH AVE MIAMI, FL 33142 PHONE: 305-537-0053 FAX: 305-537-0064</p> <p>WEB: WWW.GRILLETECHINC.COM EMAIL: SALES@GRILLETECHINC.COM</p>

MODEL RAC56AU
ALUMINUM PANEL RETURN