

STANDARD CONSTRUCTION
MATERIAL:

1/2" x 1/2" x 1/2" ALUMINUM CUBE CORE
MOUNTED ON A 23-3/4" x 23-3/4" ALUMINUM PANEL

FEATURES:

SUPERIOR SOUND ABSORPTION.
LIGHT WEIGHT - EASILY SUSPENDED.
CONDENSATION FREE OPERATION.
SURFACE MOUNT, TEE-BAR LAY-IN, AND TEE-BAR PANEL
FRAMES.

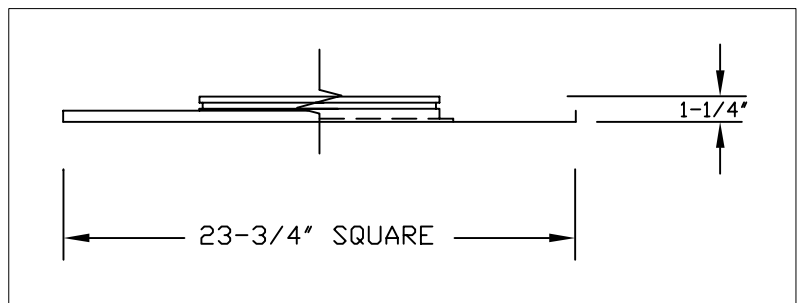
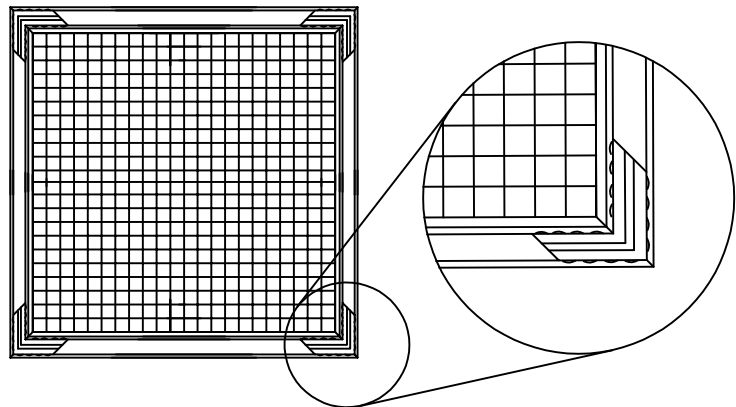
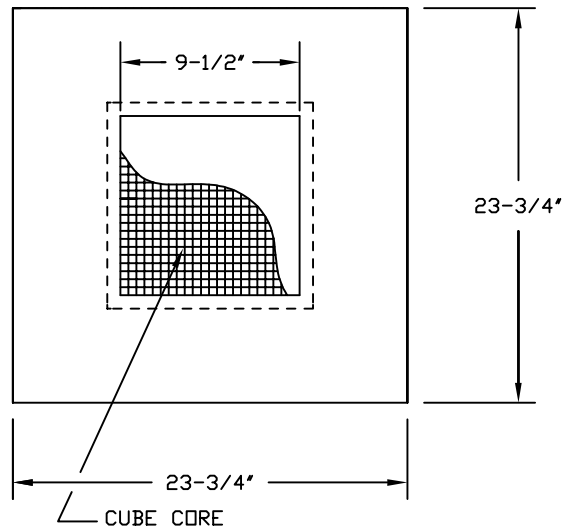
FINISH:

SKY-WHITE (STANDARD)

AXALTA SKY-WHITE 100% POLYESTER POWDER COATING
GIVES AN ATTRACTIVE BRIGHT WHITE FINISH AND PROVIDES
ADDITIONAL PROTECTION FROM AGING AND WEAR.

SIZES AVAILABLE:

CORE SIZE	FACE OR CEILING MODULE SIZE
6 X 6	X
9 X 9	X
12 X 12	X
15 X 15	X
18 X 18	X
21 X 21	X



JOB NAME:
LOCATION:
ARCHITECT:
ENGINEER:
CONTRACTOR:
<p>CONTACT GRILLE TECH INC. FOR ADDITIONAL INFORMATION OR WITH SPECIAL REQUIREMENTS.</p> <p>5101 NW 36TH AVE MIAMI, FL 33142 PHONE: 305-537-0053 FAX: 305-537-0064</p> <p>WEB: WWW.GRILLETECHINC.COM EMAIL: SALES@GRILLETECHINC.COM</p>

MODEL RAC56A
ALUMINUM PANEL RETURN



RAC5, RAC5/FS, RACF/GS, RAC50B

Eggcrate Return / Exhaust Registers and Grilles

Neck Vel.	FPM	300	400	500	600	700	800	1000	1200	1400	1500
Neck Size	Ps(-)	.016	.026	.042	.059	.082	.106	.165	.238	.323	.371
6 x 6" Ak = .08	CFM	54	72	90	108	126	144	180	216	252	270
	NC	25	28	30	32	33	43	36	38	40	40
8 x 6" Ak = .26	CFM	78	104	130	156	182	208	260	312	364	390
	NC	24	27	29	31	32	43	36	38	39	40
10 x 6" Ak = .34	CFM	102	136	170	204	238	272	340	408	476	510
	NC	23	26	28	30	32	33	35	37	38	39
10 x 8" Ak = .46	CFM	138	184	230	276	322	368	460	552	644	690
	NC	23	26	28	30	31	32	35	36	38	39
12 x 6" Ak = .39	CFM	117	156	195	234	273	312	390	468	546	585
	NC	23	26	28	30	31	33	35	37	38	39
12 x 8" Ak = .60	CFM	180	240	300	429	480	600	720	840	900	940
	NC	22	25	27	27	29	31	32	34	36	37
12 x 10" Ak = .69	CFM	207	276	345	414	483	552	690	828	966	1035
	NC	22	25	27	29	30	32	34	36	37	38
12 x 12" Ak = .90	CFM	270	360	450	540	630	720	900	1080	1260	1350
	NC	21	24	26	28	30	31	33	35	36	37
16 x 16" Ak = 1.60	CFM	480	640	800	960	1120	1280	1600	1920	2240	2400
	NC	20	23	25	27	29	30	32	34	35	36
18 x 6" Ak = .60	CFM	180	240	300	360	420	480	600	720	840	900
	NC	22	25	27	29	31	32	34	36	37	38
18 x 10" Ak = 1.07	CFM	321	428	536	642	749	856	1070	1284	1498	1605
	NC	21	24	26	28	29	31	33	35	36	37
18 x 12" Ak = 1.34	CFM	402	536	670	804	938	1072	1340	1608	1876	2010
	NC	21	23	26	27	29	30	32	34	36	36
18 x 18" Ak = 1.80	CFM	624	832	1040	1248	1456	1664	2080	2496	2912	3120
	NC	20	23	25	27	28	29	32	33	35	35
24 x 12" Ak = 1.8	CFM	540	720	900	1080	1260	1440	1800	2160	2520	2700
	NC	20	23	25	27	28	30	32	34	35	36
24 x 18" Ak = 2.78	CFM	834	1112	1390	1668	1946	2224	2780	3336	3892	4170
	NC	19	22	24	26	27	29	31	33	34	35
24 x 24" Ak = 3.61	CFM	1083	1444	1805	2166	2527	2888	3610	4332	5054	5415
	NC	19	21	24	25	27	28	30	32	34	34
30 x 12" Ak = 2.08	CFM	624	832	1040	1248	1456	1664	2080	2496	2912	3120
	NC	20	23	25	27	28	29	32	33	35	35
30 x 18" Ak = 3.61	CFM	1083	1444	1805	2166	2527	2888	3610	4332	5054	5415
	NC	19	21	24	25	27	28	30	32	34	34
30 x 24" Ak = 4.65	CFM	1395	1860	2325	2790	3255	3720	4650	5580	6510	6975
	NC	18	21	23	25	26	28	30	32	33	34
30 x 30" Ak = 6.25	CFM	1875	2500	3125	3750	4375	5000	6250	7500	8750	9375
	NC	17	20	22	24	26	27	29	31	33	33
36 x 18" Ak = 4.29	CFM	1287	1716	2145	2574	3003	3432	4290	5148	6006	6435
	NC	18	21	23	25	27	28	30	32	33	34
36 x 24" Ak = 5.58	CFM	1674	2232	2790	3348	3906	4464	5580	6696	7812	8370
	NC	18	21	23	24	26	27	29	31	33	33

Notes:

1. NC based on a room sound absorption of 10db.
2. For filter grilles add .05 to stated Ps values shown.
3. For specific information on allowable noise levels, consult the latest edition of ASHRAE Guide and Data Book "Fundamentals and Equipment."