

STANDARD CONSTRUCTION
FRAME:

EXTRUDED ALUMINUM.
FRAME IS ASSEMBLED USING CORNER CLIPS TO ASSURE HAIRLINE MITERED CORNERS.

CORE:

FABRICATED ALUMINUM OF 1/2" x 1/2" x 1/2" CUBE.

FINISH:

SKY-WHITE (STANDARD)
MILL FINISH (OPTIONAL)

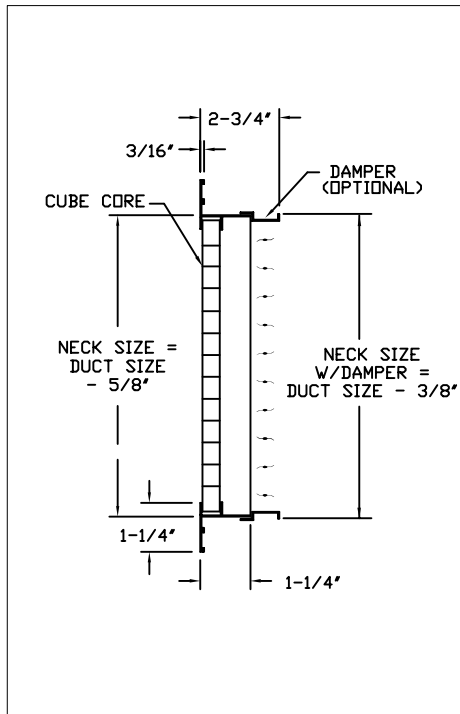
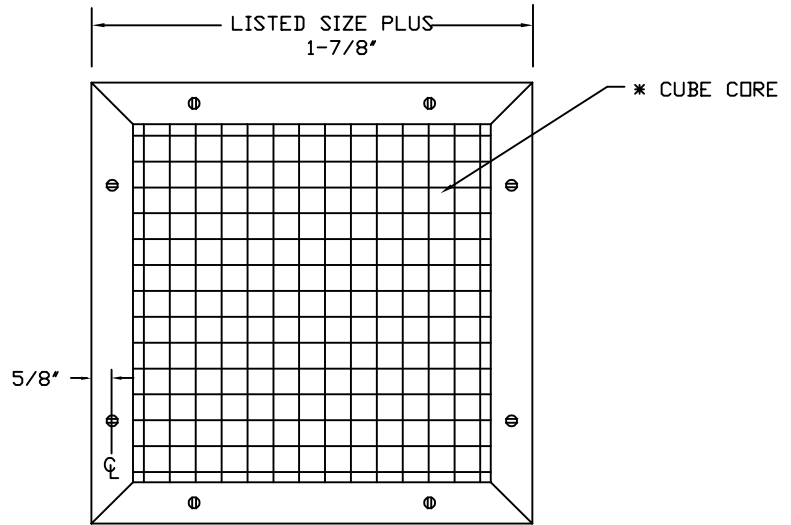
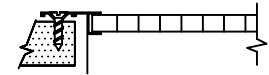
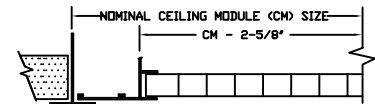
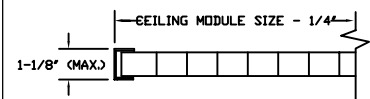
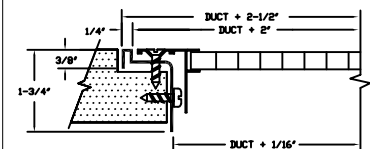
AXALTA SKY-WHITE 100% POLYESTER POWDER COATING GIVES AN ATTRACTIVE BRIGHT WHITE FINISH AND PROVIDES ADDITIONAL PROTECTION FROM AGING AND WEAR.

OPTIONS:

STEEL OPPOSED BLADE DAMPER (OBD)
* FOR MORE DETAILS SEE SUBMITTAL "OBD"
INSECT SCREEN (NOT RECOMMENDED WITH DAMPER OPTION)

SIZES:

4" x 6" MIN
24" x 48" MAX


STANDARD FASTENING DETAIL

LAY-IN MOUNTING DETAIL

CHANNEL FRAME MOUNTING DETAIL

PLASTER FRAME MOUNTING DETAIL


* RECESSED MOUNTED EXAMPLE SHOWN. PLASTER FRAMES MAY ALSO BE USED IN SURFACE MOUNT APPLICATIONS. WALL OR CEILING OPENING SHOULD BE DUCT SIZE + 1/8" TO 1/4"

| |
|---|
| JOB NAME: |
| LOCATION: |
| ARCHITECT: |
| ENGINEER: |
| CONTRACTOR: |
| CONTACT GRILLE TECH INC. FOR ADDITIONAL INFORMATION OR WITH SPECIAL REQUIREMENTS. |
| 5101 NW 36TH AVE MIAMI, FL 33142 PHONE: 305-537-0053 FAX: 305-537-0064 |
| WEB: WWW.GRILLETECHINC.COM EMAIL: SALES@GRILLETECHINC.COM |

MODEL RAC5
ALUMINUM RETURN CUBE CORE

| | | | | | | | |
|-------------|----|-------|---------|-----------|--------------|-------------|------|
| DRAWN BY: | MR | DATE: | 7/10/17 | SCALE: | NOT TO SCALE | DRAWING NO. | RAC5 |
| CHECKED BY: | IG | DATE: | 7/31/17 | REVISION: | 7/10/17 | | |



RAC5, RAC5/FS, RACF/GS, RAC50B

Eggcrate Return / Exhaust Registers and Grilles

| Neck Vel. | FPM | 300 | 400 | 500 | 600 | 700 | 800 | 1000 | 1200 | 1400 | 1500 |
|-----------------------|-------|------|------|------|------|------|------|------|------|------|------|
| Neck Size | Ps(-) | .016 | .026 | .042 | .059 | .082 | .106 | .165 | .238 | .323 | .371 |
| 6 x 6" Ak = .08 | CFM | 54 | 72 | 90 | 108 | 126 | 144 | 180 | 216 | 252 | 270 |
| | NC | 25 | 28 | 30 | 32 | 33 | 43 | 36 | 38 | 40 | 40 |
| 8 x 6" Ak = .26 | CFM | 78 | 104 | 130 | 156 | 182 | 208 | 260 | 312 | 364 | 390 |
| | NC | 24 | 27 | 29 | 31 | 32 | 43 | 36 | 38 | 39 | 40 |
| 10 x 6" Ak = .34 | CFM | 102 | 136 | 170 | 204 | 238 | 272 | 340 | 408 | 476 | 510 |
| | NC | 23 | 26 | 28 | 30 | 32 | 33 | 35 | 37 | 38 | 39 |
| 10 x 8" Ak = .46 | CFM | 138 | 184 | 230 | 276 | 322 | 368 | 460 | 552 | 644 | 690 |
| | NC | 23 | 26 | 28 | 30 | 31 | 32 | 35 | 36 | 38 | 39 |
| 12 x 6" Ak = .39 | CFM | 117 | 156 | 195 | 234 | 273 | 312 | 390 | 468 | 546 | 585 |
| | NC | 23 | 26 | 28 | 30 | 31 | 33 | 35 | 37 | 38 | 39 |
| 12 x 8" Ak = .60 | CFM | 180 | 240 | 300 | 429 | 480 | 600 | 720 | 840 | 900 | 940 |
| | NC | 22 | 25 | 27 | 27 | 29 | 31 | 32 | 34 | 36 | 37 |
| 12 x 10" Ak = .69 | CFM | 207 | 276 | 345 | 414 | 483 | 552 | 690 | 828 | 966 | 1035 |
| | NC | 22 | 25 | 27 | 29 | 30 | 32 | 34 | 36 | 37 | 38 |
| 12 x 12" Ak = .90 | CFM | 270 | 360 | 450 | 540 | 630 | 720 | 900 | 1080 | 1260 | 1350 |
| | NC | 21 | 24 | 26 | 28 | 30 | 31 | 33 | 35 | 36 | 37 |
| 16 x 16" Ak = 1.60 | CFM | 480 | 640 | 800 | 960 | 1120 | 1280 | 1600 | 1920 | 2240 | 2400 |
| | NC | 20 | 23 | 25 | 27 | 29 | 30 | 32 | 34 | 35 | 36 |
| 18 x 6" Ak = .60 | CFM | 180 | 240 | 300 | 360 | 420 | 480 | 600 | 720 | 840 | 900 |
| | NC | 22 | 25 | 27 | 29 | 31 | 32 | 34 | 36 | 37 | 38 |
| 18 x 10" Ak = 1.07 | CFM | 321 | 428 | 536 | 642 | 749 | 856 | 1070 | 1284 | 1498 | 1605 |
| | NC | 21 | 24 | 26 | 28 | 29 | 31 | 33 | 35 | 36 | 37 |
| 18 x 12" Ak = 1.34 | CFM | 402 | 536 | 670 | 804 | 938 | 1072 | 1340 | 1608 | 1876 | 2010 |
| | NC | 21 | 23 | 26 | 27 | 29 | 30 | 32 | 34 | 36 | 36 |
| 18 x 18" Ak = 1.80 | CFM | 624 | 832 | 1040 | 1248 | 1456 | 1664 | 2080 | 2496 | 2912 | 3120 |
| | NC | 20 | 23 | 25 | 27 | 28 | 29 | 32 | 33 | 35 | 35 |
| 24 x 12" Ak = 1.8 | CFM | 540 | 720 | 900 | 1080 | 1260 | 1440 | 1800 | 2160 | 2520 | 2700 |
| | NC | 20 | 23 | 25 | 27 | 28 | 30 | 32 | 34 | 35 | 36 |
| 24 x 18" Ak = 2.78 | CFM | 834 | 1112 | 1390 | 1668 | 1946 | 2224 | 2780 | 3336 | 3892 | 4170 |
| | NC | 19 | 22 | 24 | 26 | 27 | 29 | 31 | 33 | 34 | 35 |
| 24 x 24" Ak = 3.61 | CFM | 1083 | 1444 | 1805 | 2166 | 2527 | 2888 | 3610 | 4332 | 5054 | 5415 |
| | NC | 19 | 21 | 24 | 25 | 27 | 28 | 30 | 32 | 34 | 34 |
| 30 x 12" Ak = 2.08 | CFM | 624 | 832 | 1040 | 1248 | 1456 | 1664 | 2080 | 2496 | 2912 | 3120 |
| | NC | 20 | 23 | 25 | 27 | 28 | 29 | 32 | 33 | 35 | 35 |
| 30 x 18" Ak = 3.61 | CFM | 1083 | 1444 | 1805 | 2166 | 2527 | 2888 | 3610 | 4332 | 5054 | 5415 |
| | NC | 19 | 21 | 24 | 25 | 27 | 28 | 30 | 32 | 34 | 34 |
| 30 x 24" Ak = 4.65 | CFM | 1395 | 1860 | 2325 | 2790 | 3255 | 3720 | 4650 | 5580 | 6510 | 6975 |
| | NC | 18 | 21 | 23 | 25 | 26 | 28 | 30 | 32 | 33 | 34 |
| 30 x 30" Ak = 6.25 | CFM | 1875 | 2500 | 3125 | 3750 | 4375 | 5000 | 6250 | 7500 | 8750 | 9375 |
| | NC | 17 | 20 | 22 | 24 | 26 | 27 | 29 | 31 | 33 | 33 |
| 36 x 18" Ak = 4.29 | CFM | 1287 | 1716 | 2145 | 2574 | 3003 | 3432 | 4290 | 5148 | 6006 | 6435 |
| | NC | 18 | 21 | 23 | 25 | 27 | 28 | 30 | 32 | 33 | 34 |
| 36 x 24" Ak = 5.58 | CFM | 1674 | 2232 | 2790 | 3348 | 3906 | 4464 | 5580 | 6696 | 7812 | 8370 |
| | NC | 18 | 21 | 23 | 24 | 26 | 27 | 29 | 31 | 33 | 33 |

Notes:

1. NC based on a room sound absorption of 10db.
2. For filter grilles add .05 to stated Ps values shown.
3. For specific information on allowable noise levels, consult the latest edition of ASHRAE Guide and Data Book "Fundamentals and Equipment."