

**STANDARD CONSTRUCTION**
**FRAME:**

ALUMINUM RETURN AIR REGISTER.  
MOUNTED ON 23-3/4" x 23-3/4" ALUMINUM PANEL  
SURFACE MOUNT AND TEE-BAR PANEL FRAMES  
AVAILABLE.

**BLADES:**

45° FIXED BLADE CORE FOR SIGHT PROOF  
APPEARANCE.

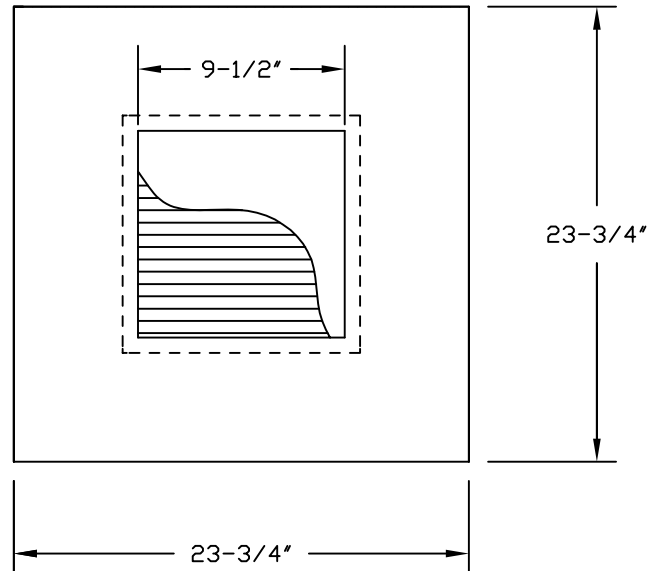
**FEATURES:**

SUPERIOR SOUND ABSORPTION.  
LIGHT WEIGHT - EASILY SUSPENDED.  
CONDENSATION FREE OPERATION.

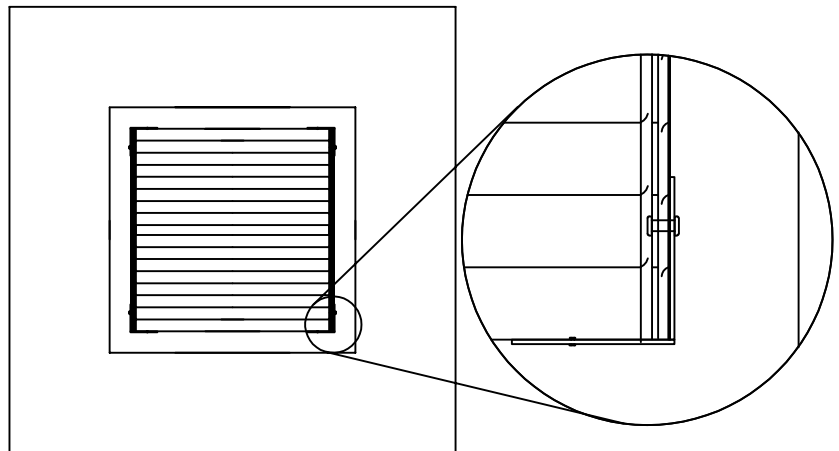
**FINISH:**

SKY-WHITE (STANDARD)

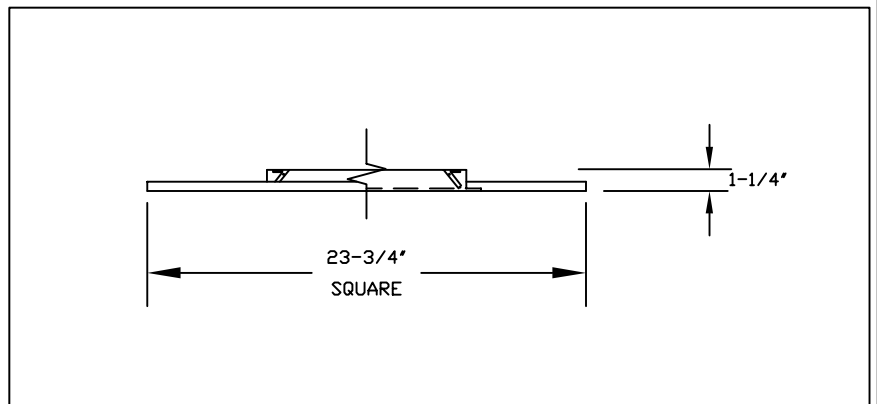
AXALTA SKY-WHITE 100% POLYESTER POWDER  
COATING GIVES AN ATTRACTIVE BRIGHT WHITE FINISH  
AND PROVIDES ADDITIONAL PROTECTION FROM  
AGING AND WEAR.


**SIZES AVAILABLE:**

CORE SIZE	FACE OR CEILING MODULE SIZE
	24 X 24
6 X 6	X
9 X 9	X
12 X 12	X
15 X 15	X
18 X 18	X
21 X 21	X



JOB NAME:
LOCATION:
ARCHITECT:
ENGINEER:
CONTRACTOR:
<p>CONTACT GRILLE TECH INC. FOR ADDITIONAL INFORMATION OR WITH SPECIAL REQUIREMENTS.</p> <p>5101 NW 36TH AVE MIAMI, FL 33142 PHONE: 305-537-0053 FAX: 305-537-0064</p> <p>WEB: WWW.GRILLETECHINC.COM EMAIL: SALES@GRILLETECHINC.COM</p>


**MODEL RA6A**  
**ALUMINUM PANEL RETURN**