

**STANDARD CONSTRUCTION**

**MATERIAL:**

COMPLETE MOLDED R6 INSULATED BACK.  
 PERFORATED FACE - 3/16" DIAMETER HOLES ON 1/4" STAGGERED CENTERS.  
 PERIMETER FRAME MADE OF EXTRUDED ALUMINUM.  
 ADJUSTABLE PATTERN CONTROLLER 6" DIAMETER LOUVERED PLATES.  
 EACH PLATE MAY BE INDIVIDUALLY ADJUSTED TO CREATE DESIRED AIR FLOW PATTERN.  
 PLATES ARE PAINTED WHITE (ALSO AVAILABLE IN BLACK) AND ARE REMOVABLE FOR RETURN AIR USE.

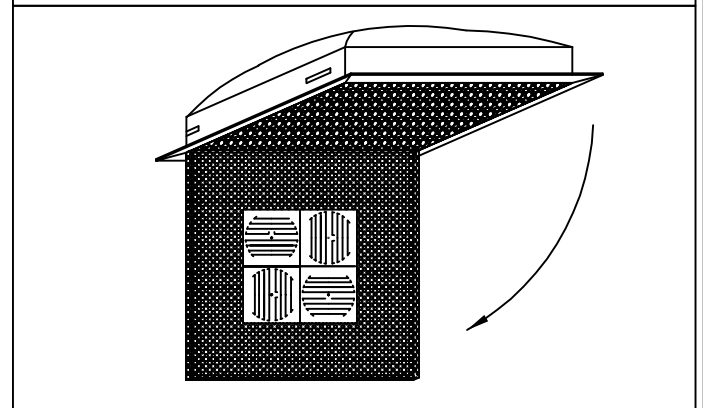
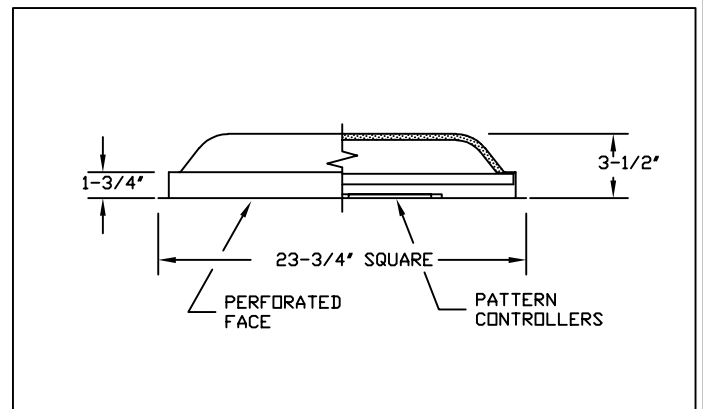
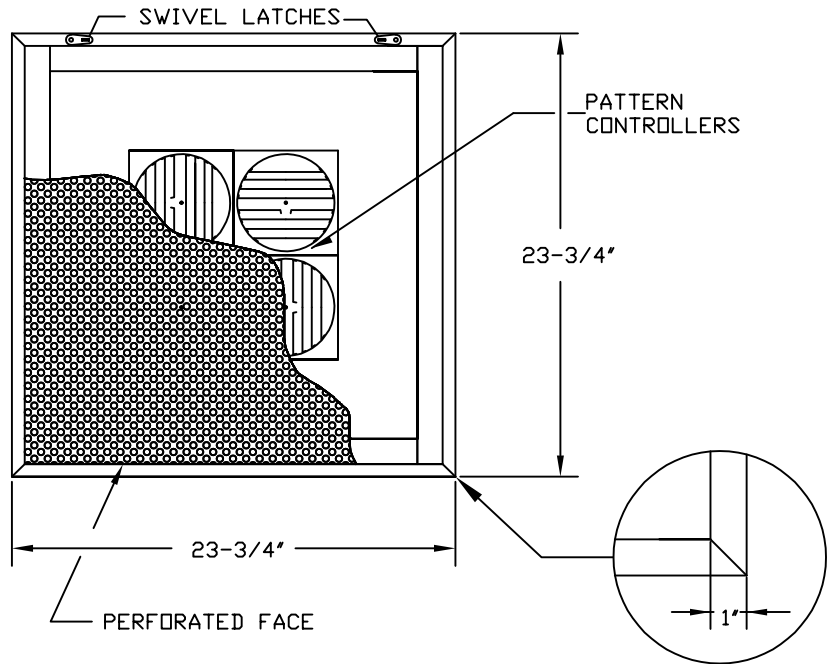
**FEATURES:**

SUPERIOR SOUND ABSORPTION.  
 LIGHT WEIGHT - EASILY INSTALLED SURFACE MOUNT AND TEE-BAR SYSTEMS.  
 SUPERIOR AIR FLOW PATTERN - NO DOWNDRAFTS.  
 CONDENSATION FREE OPERATION.  
 HINGED FACE PANEL.  
 1" EXTRUDED ALUMINUM FRAME.  
 THE MOLDED BACK IS EASILY CUT WITH A POCKET KNIFE AND THE CENTER CONNECTION PROVIDES A VERY UNIFORM, WIDELY DISPERSED, AIR FLOW WITHOUT DOWNDRAFTS.

**FINISH:**

FACE: SKY-WHITE (STANDARD)

AXALTA SKY-WHITE 100% POLYESTER POWDER COATING GIVES AN ATTRACTIVE BRIGHT WHITE FINISH AND PROVIDES ADDITIONAL PROTECTION FROM AGING AND WEAR.



JOB NAME:
LOCATION:
ARCHITECT:
ENGINEER:
CONTRACTOR:
CONTACT GRILLE TECH INC. FOR ADDITIONAL INFORMATION OR WITH SPECIAL REQUIREMENTS.
5101 NW 36TH AVE MIAMI, FL 33142 PHONE: 305-537-0053 FAX: 305-537-0064
WEB: WWW.GRILLETECHINC.COM EMAIL: SALES@GRILLETECHINC.COM

**MODEL PSR-2**

ADJUSTABLE REMOVABLE PERFORATED FACE MOLDED BACK, CEILING DIFFUSER

NOTE: ALL DRAWINGS SUBJECT TO CHANGE WITHOUT PRIOR NOTICE.

DRAWN BY: MR	DATE: 6/20/17	SCALE: NOT TO SCALE	DRAWING NO.
CHECKED BY: IG	DATE: 6/30/17	REVISION: 6/20/17	PSR-2