

STANDARD CONSTRUCTION
MATERIAL:

BACKPAN: STEEL

FACE: PERFORATED (3/16" HOLES, 1/4" O.C.) STEEL OR ALUMINUM DEPENDING ON MODEL CHOSEN.

DAMPER: (OPTIONAL) STEEL

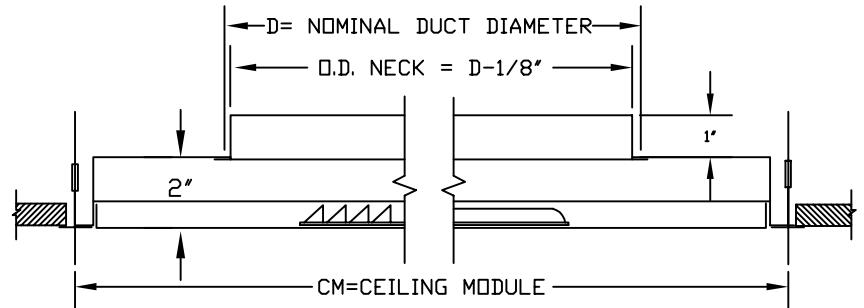
FEATURES:

INSTALLED DIFFUSER FACE IS REMOVABLE BY REPOSITIONING THE TENSION SPRINGS.

PATTERN CONTROLLERS ARE ADJUSTABLE FOR 1,2,3 OR 4 WAY PATTERN. FACTORY SETTINGS ARE 4 WAY

PSF: DIFFUSER ONLY, STEEL FACE

PSFN: DIFFUSER ONLY, ALUMINUM FACE


FINISH:

SKY-WHITE (STANDARD)

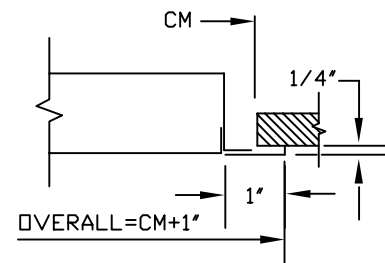
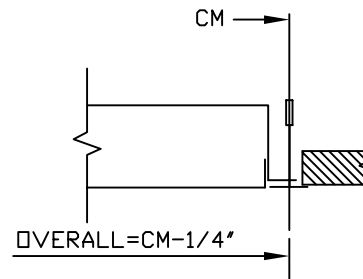
AXALTA SKY-WHITE 100% POLYESTER POWDER COATING GIVES AN ATTRACTIVE BRIGHT WHITE FINISH AND PROVIDES ADDITIONAL PROTECTION FROM AGING AND WEAR.

AVAILABLE SIZES:

CEILING MODULE (CM): 24" X 24"

D SQUARE DUCT				
6" X 6"	8" X 8"	10" X 10"	12" X 12"	14" X 14" (356 X 356)

D ROUND DUCT				
6"	8"	10"	12"	14"

SURFACE MOUNT

T-BAR


JOB NAME:
LOCATION:
ARCHITECT:
ENGINEER:
CONTRACTOR:
CONTACT GRILLE TECH INC. FOR ADDITIONAL INFORMATION OR WITH SPECIAL REQUIREMENTS. 5101 NW 36TH AVE MIAMI, FL 33142 PHONE: 305-537-0053 FAX: 305-537-0064 WEB: WWW.GRILLETECHINC.COM EMAIL: SALES@GRILLETECHINC.COM

MODEL PSF

PERFORATED FACE SUPPLY DIFFUSERS

NOTE: ALL DRAWINGS SUBJECT TO CHANGE WITHOUT PRIOR NOTICE.

DRAWN BY:	MR	DATE:	8/01/17	SCALE:	NOT TO SCALE	DRAWING NO.:	PSF
CHECKED BY:	IG	DATE:	8/30/17	REVISION:	8/01/17		



PSF 24 x 24 Square Neck

Neck Size	FPM Neck	300	400	500	600	700	800	1000	1200	1400
	Pv In WG	.006	.010	.016	.023	.031	.040	.063	.090	.123
6" x 6"	Pt	.013	.023	.037	.053	.072	.094	.147	.211	.287
	CFM	75	100	125	150	175	200	250	300	350
	NC	<	<	<	23	26	29	37	43	48
Throw, Feet	4-Way	1-1-1	1-1-2	1-1-3	1-1-4	1-1-5	1-2-6	1-3-8	2-4-9	3-5-11
	3-Way	1-1-3	1-1-5	1-2-6	1-3-8	1-4-9	2-5-10	3-6-13	5-8-16	6-9-17
	2-Way	1-1-4	1-2-7	1-3-9	2-4-10	2-6-12	3-7-14	5-9-18	7-10-19	8-12-21
	1-Way	1-1-6	1-2-8	2-4-11	2-6-13	3-7-15	5-8-17	7-11-20	8-13-22	10-15-24
8" x 8"	Pt	.018	.031	.049	.071	.096	.126	.196	.283	.385
	CFM	133	177	222	266	310	355	444	532	621
	NC	<	<	23	27	31	35	43	49	54
Throw, Feet	4-Way	1-1-2	1-1-4	1-1-6	1-2-7	1-3-8	2-4-9	3-6-12	4-7-14	5-8-17
	3-Way	1-1-5	1-2-8	1-4-10	2-5-12	3-7-14	4-8-16	6-10-20	8-12-24	9-14-26
	2-Way	1-2-8	1-4-10	2-6-13	4-8-16	5-9-19	7-10-21	9-13-26	10-16-29	12-19-31
	1-Way	1-3-9	2-5-13	3-8-16	5-9-19	7-11-23	8-13-26	11-16-30	13-19-33	15-23-35
10" x 10"	Pt	.022	.039	.061	.088	.119	.156	.243	.350	.477
	CFM	208	277	347	416	485	555	694	832	971
	NC	<	22	27	31	35	40	47	53	58
Throw, Feet	4-Way	1-1-4	1-2-6	1-3-8	2-4-10	2-5-11	3-6-13	5-8-16	6-10-20	7-11-23
	3-Way	1-2-8	1-4-11	3-6-13	4-8-16	5-9-19	7-11-22	9-13-27	11-16-32	12-19-35
	2-Way	1-3-11	3-6-14	4-9-18	6-11-22	8-13-26	9-14-29	12-18-36	14-22-39	17-26-43
	1-Way	2-5-13	4-9-18	6-11-22	9-13-27	10-16-32	12-18-36	15-22-41	18-27-45	21-32-49
12"x 12"	Pt	.026	.047	.073	.105	.144	.188	.293	.422	.574
	CFM	300	400	500	600	700	800	1000	1200	1400
	NC	<	25	30	34	39	43	51	57	62
Throw, Feet	4-Way	1-1-6	1-3-8	2-4-11	3-6-13	4-7-15	5-8-17	7-11-22	8-13-26	10-15-30
	3-Way	1-3-10	2-6-14	4-9-18	6-10-21	8-12-25	9-14-28	11-18-36	14-21-42	16-25-45
	2-Way	2-5-14	4-9-19	7-12-24	9-14-29	11-17-34	13-19-39	16-24-46	19-29-51	22-34-55
	1-Way	3-8-17	6-11-23	9-14-29	11-17-35	13-20-41	15-23-47	19-29-53	23-35-58	27-41-63

Notes:

1. All pressures are in inches of water.
2. Throw values are for velocities of 150, 100, and 50 FPM.
3. NC values are based on a room absorption of 10db.
4. < = NC less than 20db.



PSF 24 x 24 Round Neck

Removable Face, 4 Adjustable Pattern Controllers

Neck Size	FPM Neck	300	400	500	600	700	800	1000	1200	1400
	Pv In WG	.006	.010	.016	.023	.031	.040	.063	.090	.123
6" Diameter	Pt	.012	.021	.033	.047	.064	.084	.131	.189	.257
	CFM	58	78	98	117	137	156	196	235	274
	NC	<	<	<	21	24	27	34	40	46
Throw, Feet	4-Way	1-1-1	1-1-1	1-1-3	1-1-4	1-1-4	1-1-5	1-3-6	1-4-8	2-4-9
	3-Way	1-1-2	1-1-4	1-1-5	1-2-6	1-3-7	1-4-8	2-5-11	4-6-13	5-7-14
	2-Way	1-1-3	1-1-6	1-2-7	1-3-9	2-4-10	2-6-12	4-7-15	6-9-16	7-10-18
	1-Way	1-1-4	1-2-7	1-3-9	2-4-11	2-6-13	3-7-14	6-9-17	7-11-19	8-13-20
8" Diameter	Pt	.015	.027	.043	.062	.084	.110	.171	.247	.336
	CFM	104	139	174	209	244	279	349	418	488
	NC	<	<	21	25	29	33	40	46	51
Throw, Feet	4-Way	1-1-2	1-1-3	1-1-5	1-2-6	1-2-7	1-3-8	2-5-10	3-6-12	4-7-14
	3-Way	1-1-4	1-2-6	1-3-8	2-4-10	2-5-11	3-6-13	5-8-17	6-10-20	7-11-22
	2-Way	1-1-6	1-3-9	2-4-11	3-6-13	4-8-16	5-9-18	7-11-22	9-13-24	10-16-26
	1-Way	1-2-8	1-4-11	2-6-14	4-8-16	5-9-19	7-11-22	9-14-25	1-16-28	13-19-30
10" Diameter	Pt	.019	.034	.054	.077	.105	.138	.215	.310	.422
	CFM	163	218	272	327	381	436	545	654	763
	NC	<	20	25	29	33	37	45	51	56
Throw, Feet	4-Way	1-1-3	1-1-5	1-2-7	1-3-8	2-4-10	2-5-11	4-7-14	5-8-17	6-10-20
	3-Way	1-1-7	1-3-9	2-5-11	3-7-14	4-8-16	5-9-18	7-11-23	9-14-27	11-16-29
	2-Way	1-2-9	2-5-12	3-7-15	5-9-19	7-11-22	8-12-25	10-15-31	12-19-33	14-22-36
	1-Way	1-3-11	3-7-15	4-9-19	7-11-23	9-13-27	10-15-30	12-19-35	15-23-38	18-27-41
12" Diameter	Pt	.023	.041	.065	.093	.127	.166	.259	.373	.507
	CFM	235	314	392	471	549	628	785	942	1099
	NC	<	23	28	32	36	41	48	54	59
Throw, Feet	4-Way	1-1-5	1-2-7	1-3-9	2-5-11	3-6-13	4-7-14	6-9-18	7-11-22	8-13-26
	3-Way	1-2-9	2-5-12	3-7-15	5-9-18	6-10-21	8-2-24	10-15-30	12-18-35	14-21-38
	2-Way	1-4-12	3-7-16	5-10-20	7-12-24	9-14-28	10-16-32	13-20-40	16-24-43	19-28-47
	1-Way	2-6-14	4-9-19	7-12-24	9-14-29	11-17-34	13-19-39	16-24-45	19-29-49	23-34-53
14" Diameter	Pt	.027	.048	.075	.108	.147	.192	.299	.431	.587
	CFM	318	424	530	636	742	848	1060	1272	1484
	NC	<	25	30	34	39	44	51	57	62
Throw, Feet	4-Way	1-1-6	1-3-9	2-5-11	3-6-13	4-8-16	5-9-18	7-11-23	9-13-27	10-16-23
	3-Way	1-4-11	3-7-14	4-9-18	7-11-22	8-13-26	9-14-29	12-18-37	14-22-43	17-26-47
	2-Way	2-6-15	4-10-20	7-12-25	10-15-30	11-17-35	13-20-40	16-25-49	20-30-53	23-35-58
	1-Way	3-8-18	6-12-24	10-15-30	12-18-37	14-21-43	16-24-49	20-30-56	24-37-61	28-43-66
15" Diameter	Pt	.033	.059	.092	.132	.180	.235	.368	.53	.721
	CFM	418	558	698	837	977	1116	1396	1675	1954
	NC	<	25	31	35	40	45	53	59	66
Throw, Feet	4-Way	1-3-10	2-5-13	3-8-15	5-10-16	7-12-17	9-13-19	12-15-21	13-16-23	14-17-25
	3-Way	3-5-9	5-7-10	6-8-11	7-9-12	8-9-13	8-10-14	9-11-16	10-12-18	11-13-19
	2-Way	2-5-11	4-8-13	6-10-14	8-11-16	9-12-17	10-13-18	12-14-20	13-16-22	14-17-24
	1-Way	7-12-21	11-17-24	14-19-27	17-21-30	18-23-32	20-24-35	22-27-39	24-30-42	26-32-46

NOTES:

1. All pressures are in inches of water.
2. Throw values are for velocities of 150, 100, and 50 FPM.
3. NC values are based on room absorption of 10db, re: 10 - 12 watts.
4. < = NC less than 20db.