

STANDARD CONSTRUCTION
FRAME:

HEAVY EXTRUDED ALUMINUM.
 CORNER CLIPS ASSURE HAIRLINE MITERED CORNERS.
 DESIGNED TO ACCOMMODATE 1" THICK WIRE-REINFORCED
 WASHABLE HOGHAIR FILTER (FILTER PROVIDED)

BLADES:

HEAVY ROLLFORMED ALUMINUM.
 ALL BLADES FIXED AT 45° IN ALL ALUMINUM CORE FRAME.

ACCESS DOORS:

MADE OF STUCCO EMBOSSED GALV-ALUM SHEET (AZ50) WITH A
 PERIMETER ALUMINUM CHANNEL AND 1" R-4.2 FOIL FACED
 FIBERGLASS BOARD FOR INSULATION AND SOUND
 ATTENUATION.

FINISH:

SKY WHITE POWDER COAT 100% POLYESTER (STANDARD)

INSTALLATION:

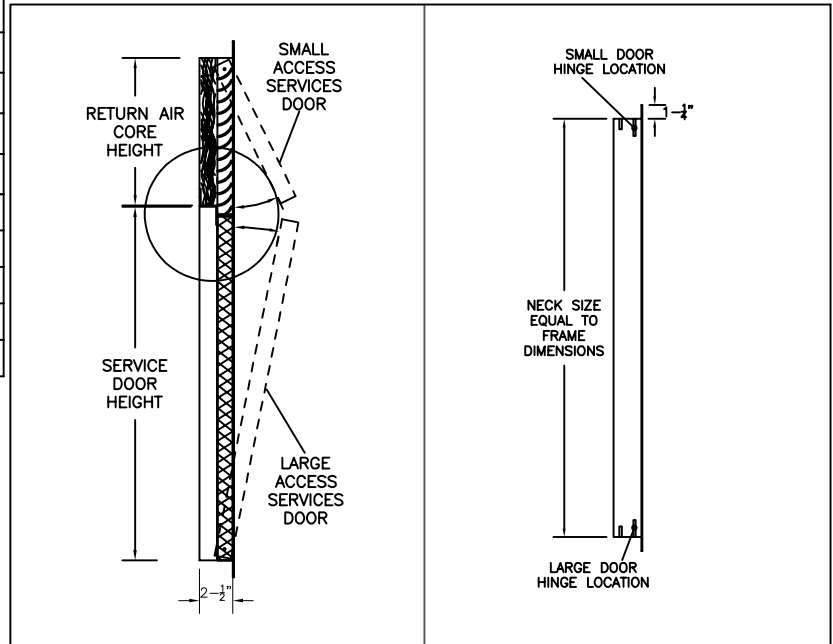
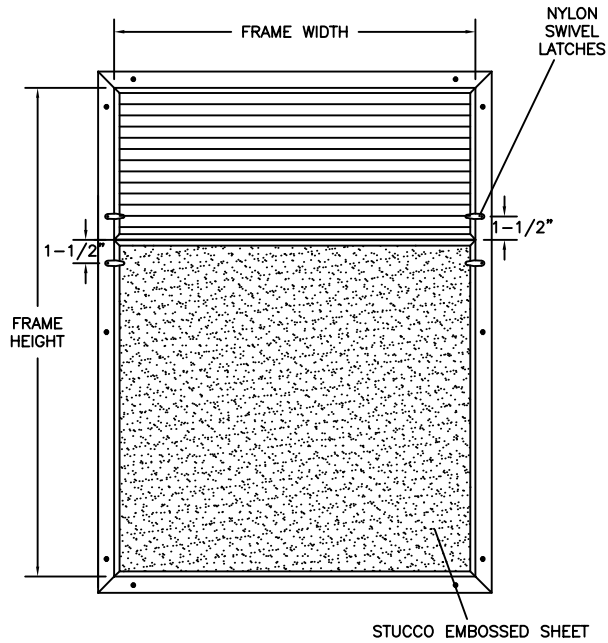
ALLOW 2-1/2" CLEARANCE WHEN INSTALLING BELOW
 MITSUBISHI INDOOR UNIT

OPTIONS:

CUSTOM SIZES AVAILABLE

SIZES AVAILABLE:

DIMENSIONS CHART			FRAME	
MODEL			WIDTH	HEIGHT
1	APRPFEFY-P06, 08, 12 NMSU-E		29-3/4"	36-3/4"
2	APRPFEFY-P15, 18 NMSU-E		36-3/4"	40-3/4"
3	APRPFEFY-P24 NMSU-E		44-3/4"	40-3/4"
	RETURN AIR CORE		SERVICE DOOR	
	WIDTH	HEIGHT	WIDTH	HEIGHT
1	29-1/2"	7-1/2"	1	29-1/2"
2	36-1/2"	11-1/2"	2	36-1/2"
3	44-1/2"	11-1/2"	3	44-1/2"

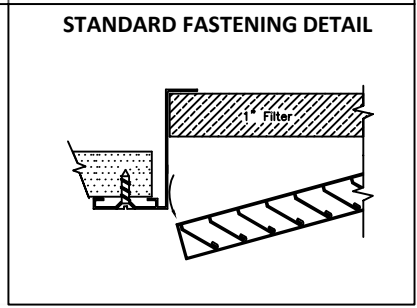
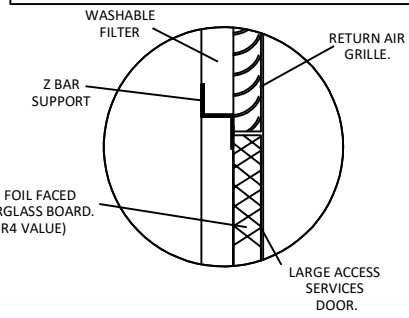


JOB NAME: _____
 LOCATION: _____
 ARCHITECT: _____
 ENGINEER: _____
 CONTRACTOR: _____

CONTACT GRILLE TECH INC. FOR
 ADDITIONAL INFORMATION OR WITH
 SPECIAL REQUIREMENTS.

5101 NW 36TH AVE
 MIAMI, FL 33142
 PHONE: 305-537-0053
 FAX: 305-537-0064

WEB: WWW.GRILLETECHINC.COM
 EMAIL: SALES@GRILLETECHINC.COM


**PEFY-P SERIES
 NMSU-E**

MITSUBISHI ACES PANEL/RETURN AIR
 WITH FILTER

NOTE: ALL DRAWINGS SUBJECT TO CHANGE WITHOUT PRIOR NOTICE.

DRAWN BY: MR	DATE: 9/21/18	SCALE: NOT TO SCALE	DRAWING NO. PEFY-P NMSU-E
CHECKED BY: IG	DATE: 9/21/18	REVISION: 9/21/18	