

STANDARD CONSTRUCTION
FRAME:

HEAVY EXTRUDED ALUMINUM.
CORNER CLIPS ASSURE HAIRLINE MITERED CORNERS.
DESIGNED TO ACCOMMODATE 1" THICK WIRE-REINFORCED
WASHABLE HOGHAIR FILTER (FILTER PROVIDED)

BLADES:

HEAVY ROLLFORMED ALUMINUM.
ALL BLADES FIXED AT 45° IN ALL ALUMINUM CORE FRAME.

ACCESS DOORS:

MADE OF STUCCO EMBOSSED GALV-ALUM SHEET (AZ50) WITH A
PERIMETER ALUMINUM CHANNEL AND 1" R-4.2 FOIL FACED
FIBERGLASS BOARD FOR INSULATION AND SOUND
ATTENUATION.

FINISH:

SKY WHITE POWDER COAT 100% POLYESTER (STANDARD)

INSTALLATION:

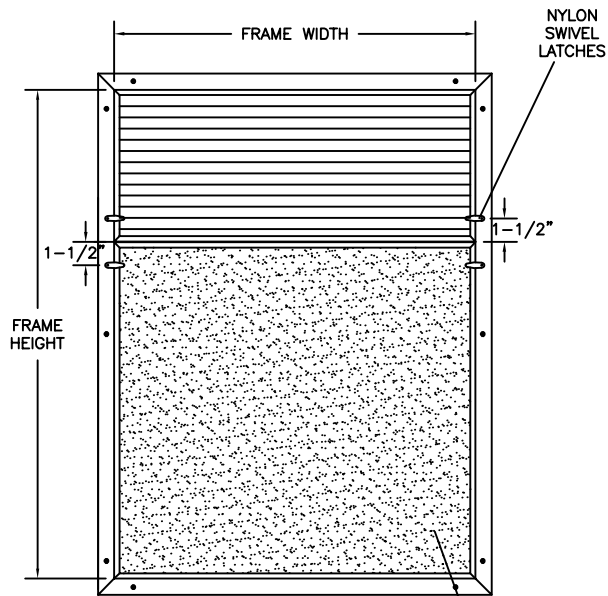
ALLOW 2-1/2" CLEARANCE WHEN INSTALLING BELOW
MITSUBISHI INDOOR UNIT

OPTIONS:

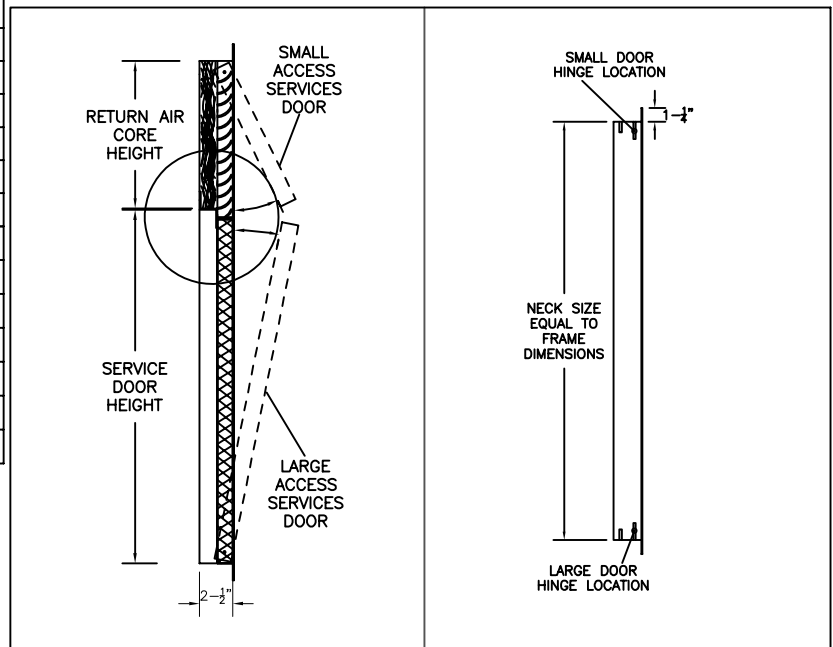
CUSTOM SIZES AVAILABLE

SIZES AVAILABLE:

DIMENSIONS CHART			FRAME		
MODEL			WIDTH	HEIGHT	
1	APRFPEFY-P06, 08, 12 NMAU-E		29-3/4"	36-3/4"	
2	APRFPEFY-P15, 18 NMAU-E		36-3/4"	40-3/4"	
3	APRFPEFY-P24, 27, 30 NMAU-E		44-3/4"	40-3/4"	
4	APRFPEFY-P36, 48 NMAU-E		56-3/4"	40-3/4"	
5	APRFPEFY-P54 NMAU-E		63-3/4"	40-3/4"	
RETURN AIR CORE		SERVICE DOOR			
WIDTH	HEIGHT		WIDTH	HEIGHT	
1	29-1/2"	7-1/2"	1	29-1/2"	29"
2	36-1/2"	11-1/2"	2	36-1/2"	29"
3	44-1/2"	11-1/2"	3	44-1/2"	29"
4	56-1/2"	11-1/2"	4	56-1/2"	29"
5	63-1/2"	11-1/2"	5	63-1/2"	29"



STUCCO EMBOSSED SHEET



JOB NAME: _____

LOCATION: _____

ARCHITECT: _____

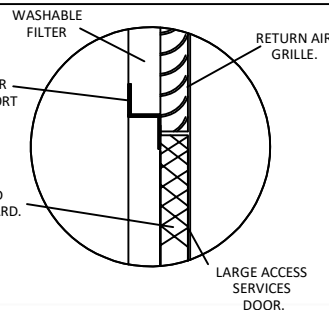
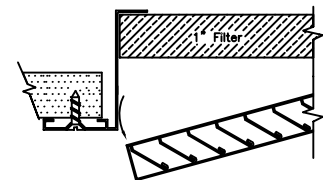
ENGINEER: _____

CONTRACTOR: _____

CONTACT GRILLE TECH INC. FOR
ADDITIONAL INFORMATION OR WITH
SPECIAL REQUIREMENTS.

5101 NW 36TH AVE
MIAMI, FL 33142
PHONE: 305-537-0053
FAX: 305-537-0064

WEB: WWW.GRILLETECHINC.COM
EMAIL: SALES@GRILLETECHINC.COM


STANDARD FASTENING DETAIL

**PEFY-P SERIES
NMAU-E**

MITSUBISHI ACCES PANEL/RETURN AIR
WITH FILTER

NOTE: ALL DRAWINGS SUBJECT TO CHANGE WITHOUT PRIOR NOTICE.

DRAWN BY: MR	DATE: 9/21/18	SCALE: NOT TO SCALE	DRAWING NO. PEFY-P NMAU-E
CHECKED BY: IG	DATE: 9/21/18	REVISION: 9/21/18	