

STANDARD CONSTRUCTION
FRAME:

HEAVY EXTRUDED ALUMINUM.
 CORNER CLIPS ASSURE HAIRLINE MITERED CORNERS.
 DESIGNED TO ACCOMMODATE 1" THICK WIRE-REINFORCED
 WASHABLE HOGHAIR FILTER (FILTER PROVIDED)

BLADES:

HEAVY ROLLFORMED ALUMINUM.
 ALL BLADES FIXED AT 45° IN ALL ALUMINUM CORE FRAME.

ACCESS DOORS:

MADE OF STUCCO EMBOSSED GALV-ALUM SHEET (AZ50) WITH A
 PERIMETER ALUMINUM CHANNEL AND 1" R-4.2 FOIL FACED
 FIBERGLASS BOARD FOR INSULATION AND SOUND
 ATTENUATION.

FINISH:

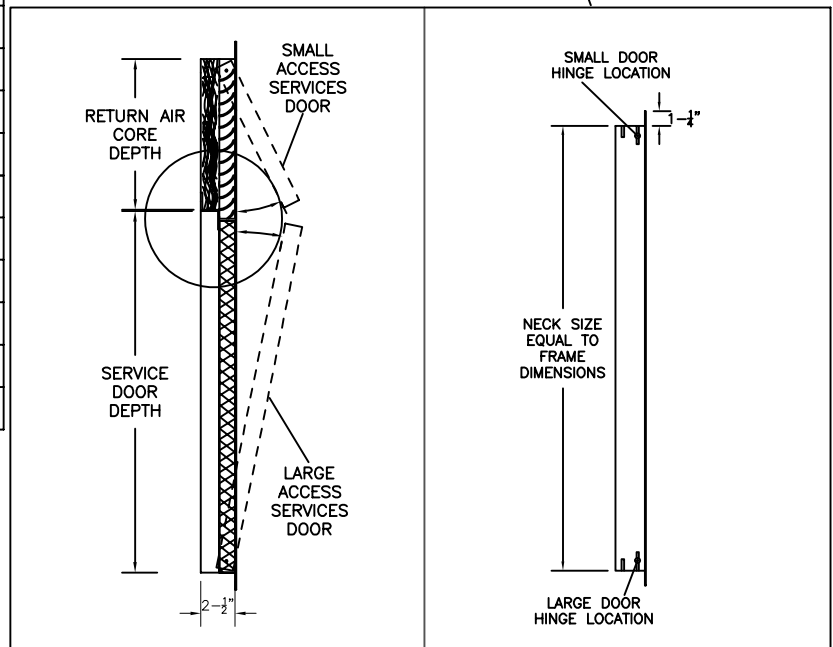
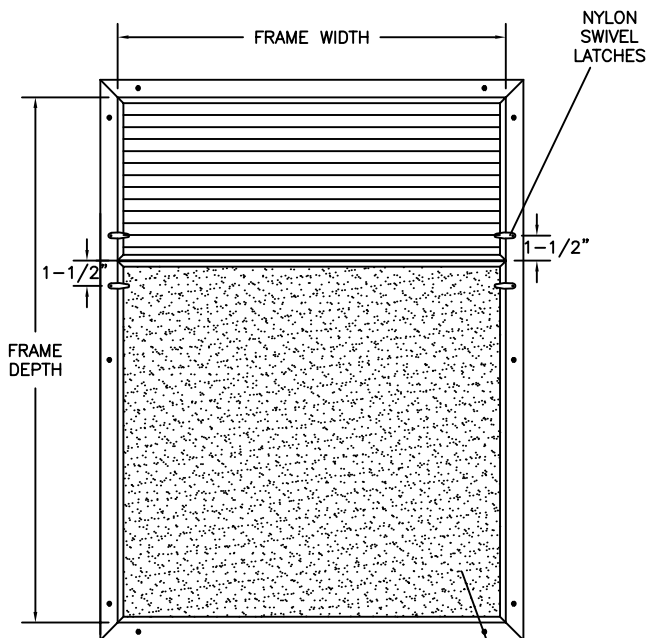
SKY WHITE POWDER COAT 100% POLYESTER (STANDARD)

OPTIONS:

CUSTOM SIZES AVAILABLE

SIZES AVAILABLE:

DIMENSIONS CHART				FRAME	
MODEL		WIDTH	DEPTH	WIDTH	DEPTH
1	APRFPDFY-P06/08/12	29-3/4"	39-3/4"		
2	APRFPDFY-P15/18	39-3/4"	43-3/4"		
3	APRFPDFY-P24/27/30	47-3/4"	43-3/4"		
4	APRFPDFY-P36/48	61-3/4"	44-3/4"		
RETURN AIR CORE		SERVICE DOOR			
WIDTH	DEPTH	WIDTH	DEPTH	WIDTH	DEPTH
1	29-1/2"	7-1/2"	1	29-1/2"	31-1/2"
2	39-1/2"	11-1/2"	2	39-1/2"	31-1/2"
3	47-1/2"	11-1/2"	3	47-1/2"	31-1/2"
4	61-1/2"	11-1/2"	4	61-1/2"	32-1/2"

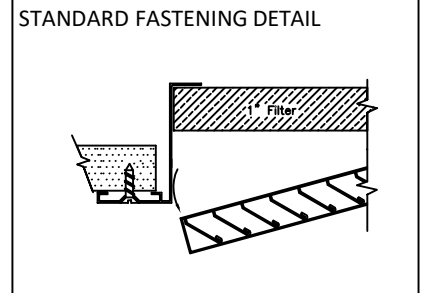
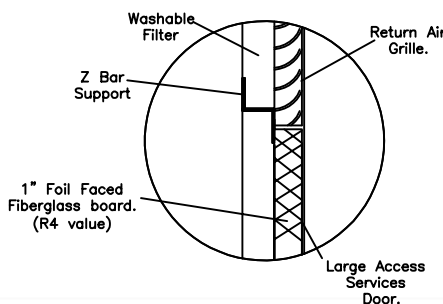


JOB NAME: _____
 LOCATION: _____
 ARCHITECT: _____
 ENGINEER: _____
 CONTRACTOR: _____

CONTACT GRILLE TECH INC. FOR
 ADDITIONAL INFORMATION OR WITH
 SPECIAL REQUIREMENTS.

5101 NW 36TH AVE
 MIAMI, FL 33142
 PHONE: 305-537-0053
 FAX: 305-537-0064

WEB: WWW.GRILLETECHINC.COM
 EMAIL: SALES@GRILLETECHINC.COM


PDFY-P SERIES

MITSUBISHI ACCES PANEL/RETURN AIR
 WITH FILTER

NOTE: ALL DRAWINGS SUBJECT TO CHANGE WITHOUT PRIOR NOTICE.

DRAWN BY: MR	DATE: 8/16/17	SCALE: NOT TO SCALE	DRAWING NO. PDFY-P
CHECKED BY: IG	DATE: 8/30/17	REVISION: 8/16/17	