

STANDARD CONSTRUCTION
FRAME:

COMPLETE MOLDED R6 INSULATED BACK.
 PERFORATED FACE - 3/16" DIAMETER HOLES ON
 1/4" STAGGERED CENTERS.
 ADJUSTABLE PATTERN CONTROLLER - 6" DIAMETER
 LOUVERED PLATES.
 EACH PLATE MAY BE INDIVIDUALLY ADJUSTED TO
 CREATE DESIRED AIRFLOW PATTERN.
 PLATES ARE PAINTED WHITE AND ARE REMOVABLE
 FOR RETURN AIR USE.
 ALSO AVAILABLE IN BLACK ON REQUEST.

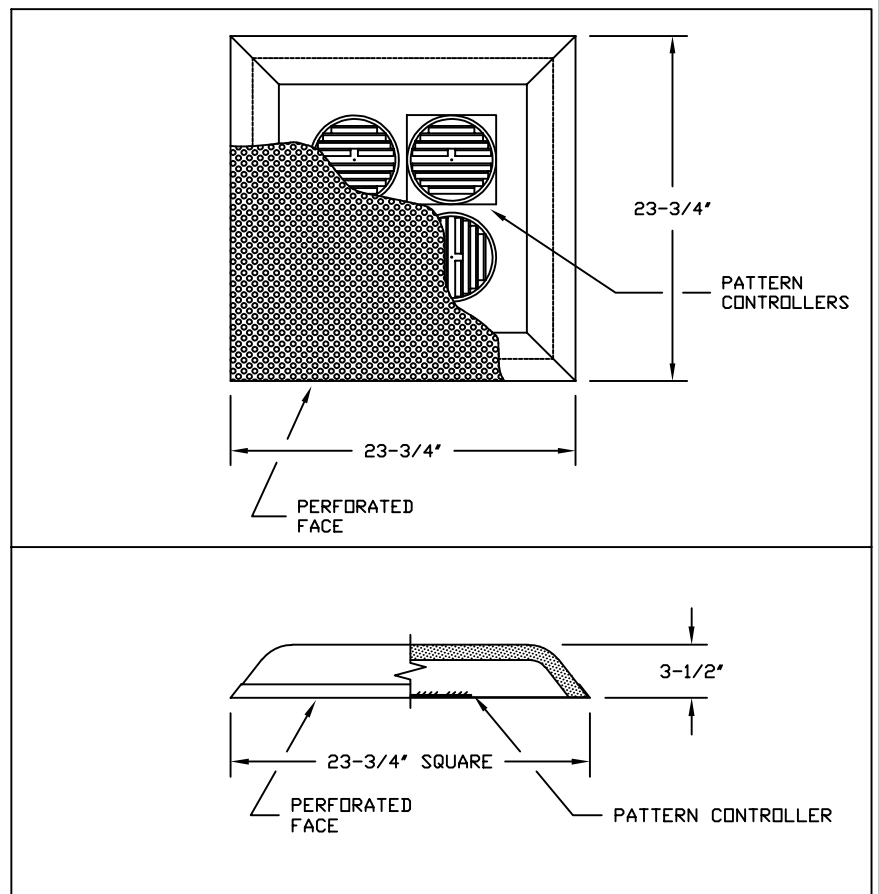
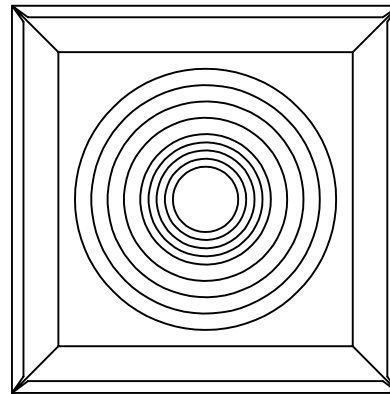
FEATURES:

SUPERIOR SOUND ABSORPTION.
 LIGHT WEIGHT - EASILY SUSPENDED.
 CONDENSATION FREE OPERATION.
 SUPERIOR AIRFLOW PATTERN - NO DOWNDRAFTS.

FINISH:

SKY-WHITE (STANDARD)

AXALTA SKY-WHITE 100% POLYESTER POWDER
 COATING GIVES AN ATTRACTIVE BRIGHT WHITE
 FINISH AND PROVIDES ADDITIONAL PROTECTION
 FROM AGING AND WEAR.



JOB NAME:
LOCATION:
ARCHITECT:
ENGINEER:
CONTRACTOR:
CONTACT GRILLE TECH INC. FOR ADDITIONAL INFORMATION OR WITH SPECIAL REQUIREMENTS.
5101 NW 36TH AVE MIAMI, FL 33142 PHONE: 305-537-0053 FAX: 305-537-0064
WEB: WWW.GRILLETECHINC.COM EMAIL: SALES@GRILLETECHINC.COM

MODEL PDBA

PERFORATED FACE, MOLDED BACK CEILING DIFFUSER

NOTE: ALL DRAWINGS SUBJECT TO CHANGE WITHOUT PRIOR NOTICE.

DRAWN BY:	MR	DATE:	8/01/17	SCALE:	NOT TO SCALE
CHECKED BY:	IG	DATE:	8/30/17	REVISION:	8/01/17

 DRAWING NO.
PDBA

PDBA-EDBA 24 x 24 Adjustable Face

Fiberglass Back Perforated (Supply) Diffusers

NECK SIZE	FPM Neck	300	400	500	600	700	800	1000	
	Pv	.006	.010	.016	.023	.031	.040	.062	
5	CFM	40	55	70	80	95	110	135	
	Pt	.010	.019	.031	.040	.056	.076	.114	
	NC	<	<	<	<	<	20	24	
	Throw	4 way	1-1-3	1-1-4	1-2-4	1-2-5	1-3-5	2-3-6	2-3-7
	3 way	1-1-3	1-2-4	1-2-5	1-3-6	2-3-6	2-3-8	3-3-8	
6	CFM	60	80	100	115	135	155	195	
	Pt	.012	.022	.034	.045	.062	.083	.131	
	NC	<	<	<	<	20	24	31	
	Throw	4 way	1-1-3	1-1-4	1-2-4	1-2-5	1-3-6	2-3-7	2-3-8
	3 way	1-1-3	1-2-4	2-2-5	2-3-6	2-3-6	2-3-6	3-4-8	
7	CFM	80	105	135	160	185	210	265	
	Pt	.014	.024	.040	.056	.075	.126	.154	
	NC	<	<	<	20	25	29	35	
	Throw	4 way	1-1-3	1-1-4	1-2-4	1-2-5	1-2-6	1-4-8	3-4-9
	3 way	1-1-3	1-1-4	1-2-4	1-2-5	2-2-6	2-4-9	3-4-10	
8	CFM	105	140	175	210	245	280	350	
	Pt	.017	.031	.048	.070	.095	.124	.195	
	NC	<	<	<	21	26	30	36	
	Throw	4 way	1-1-3	1-2-5	2-2-5	2-3-6	2-3-8	2-4-10	3-5-11
	3 way	1-2-3	1-2-5	2-3-5	2-3-6	3-3-8	3-4-11	3-5-12	
10	CFM	165	220	270	325	380	435	545	
	Pt	.020	.035	.053	.077	.106	.138	.218	
	NC	<	<	22	28	33	37	43	
	Throw	4 way	1-2-4	1-2-5	2-3-6	2-3-7	3-4-8	3-4-10	3-5-12
	3 way	1-2-4	1-3-6	2-3-7	2-4-8	3-5-9	3-5-12	3-6-13	
12	CFM	235	315	390	470	550	630	785	
	Pt	.032	.059	.090	.131	.180	.236	.367	
	NC	<	<	25	29	35	40	46	
	Throw	4 way	1-2-4	2-2-8	3-3-8	3-5-10	3-5-11	4-6-12	5-7-14
	3 way	2-5-7	2-3-8	3-4-9	3-5-11	4-6-13	4-7-14	5-8-15	
14	CFM	320	425	535	640	750	855	1070	
	Pt	.039	.068	.108	.156	.213	.277	.435	
	NC	<	23	29	34	39	44	50	
	Throw	4 way	2-3-6	3-4-8	3-5-11	4-6-13	4-7-14	5-8-15	6-9-17
	3 way	2-4-7	3-5-9	3-6-12	4-7-14	5-8-16	5-9-17	6-10-18	
15	CFM	370	490	610	735	860	980	1225	
	Pt	.045	.079	.122	.177	.243	.316	.493	
	NC	<	25	30	36	41	45	51	
	Throw	4 way	2-3-6	3-4-8	3-5-11	4-7-13	5-8-15	6-8-16	6-9-18
	3 way	3-4-7	3-6-9	3-6-12	4-8-15	5-9-16	6-9-17	6-10-19	

Notes:

1. < = NC less than 20db.