

**STANDARD CONSTRUCTION**
**FRAME:**

6063T5 EXTRUDED ALUMINUM.  
NOMINAL WALL THICKNESS OF 0.081"  
UNIVERSAL C-CHANNEL FRAME

**BLADES:**

6063T5 EXTRUDED ALUMINUM.  
NOMINAL WALL THICKNESS OF 0.081"  
SPACED AT APPROX. 6" CENTERS

**BEARINGS:**

PERMANENTLY LUBRICATED OILITE BRONZE, PRESS FIT  
INTO FRAME

**OPERATOR SHAFT:**

1/2" DIAMETER PLATED STEEL SHAFT EXTENDS 3" PAST  
FRAME STANDARD.  
SHAFT EXTENDING 6" PAST FRAME IS ALSO AVAILABLE.

**FINISH:**

MILL FINISH

**SIZE:**

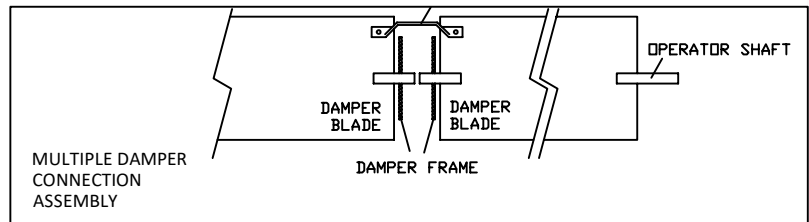
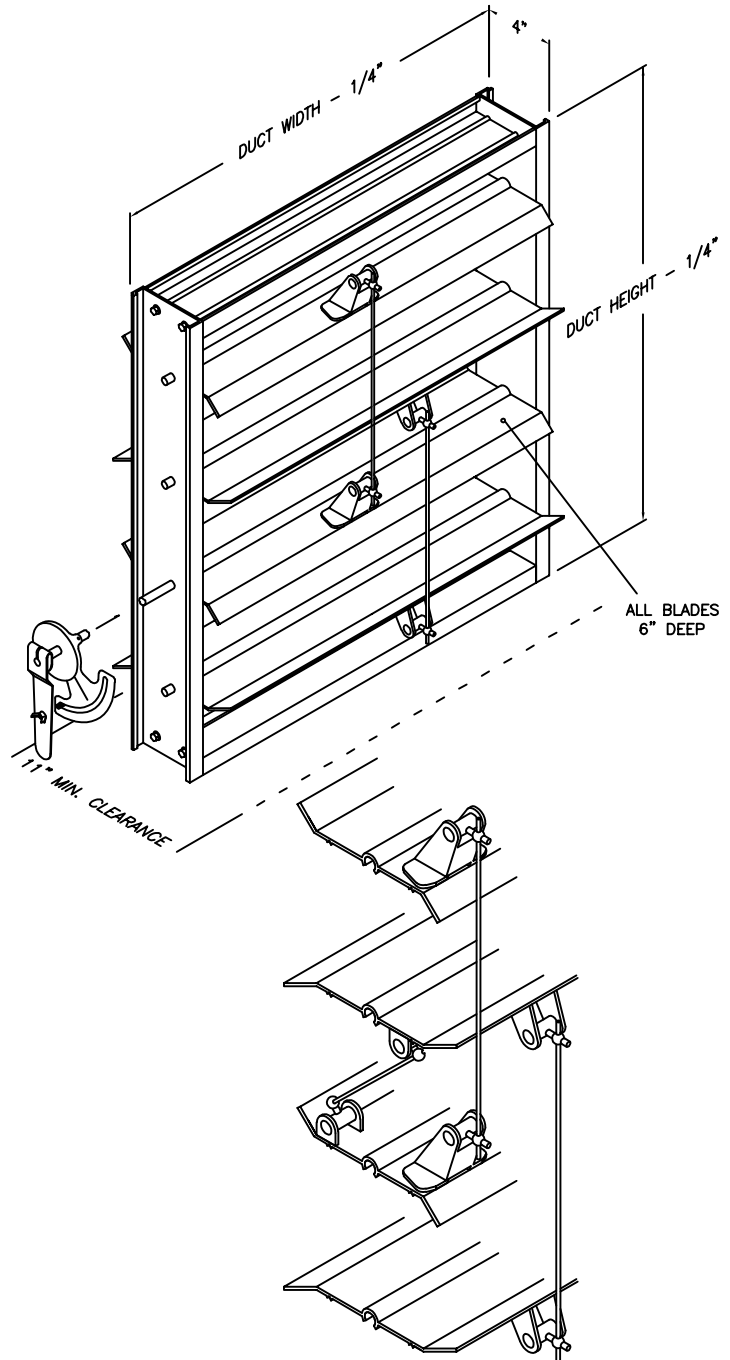
MINIMUM SIZE: 12"W x 12"H

**MAX DAMPER SIZE:**

SINGLE: 48"W x 60"H  
MULTIPLE HORIZONTAL: 96"W x 60"H  
MULTIPLE VERTICAL: 48"W x 120"H

**FEATURES:**

EXTRUDED ALUMINUM PROVIDES SUPERIOR DURABILITY  
AND RESISTS CORROSION.  
SOLID HARDWARE ALLOWS SMOOTH OPERATION.



JOB NAME:
LOCATION:
ARCHITECT:
ENGINEER:
CONTRACTOR:
<p>CONTACT GRILLE TECH INC. FOR ADDITIONAL INFORMATION OR WITH SPECIAL REQUIREMENTS.</p> <p>5101 NW 36TH AVE MIAMI, FL 33142 PHONE: 305-537-0053 FAX: 305-537-0064</p> <p>WEB: WWW.GRILLETECHINC.COM EMAIL: SALES@GRILLETECHINC.COM</p>

**OBD**
**OPPOSED BLADE DAMPER**

**Grille tech inc.**

DRAWN BY:	MR	DATE:	8/01/17	SCALE:	NOT TO SCALE	DRAWING NO.	OBD
CHECKED BY:	IG	DATE:	8/31/17	REVISION:	8/01/17		