

STANDARD CONSTRUCTION
MATERIAL:

22 GAUGE ASTM A-653 HOT-DIPPED GALVANIZED STEEL SHEET

OPTIONS:

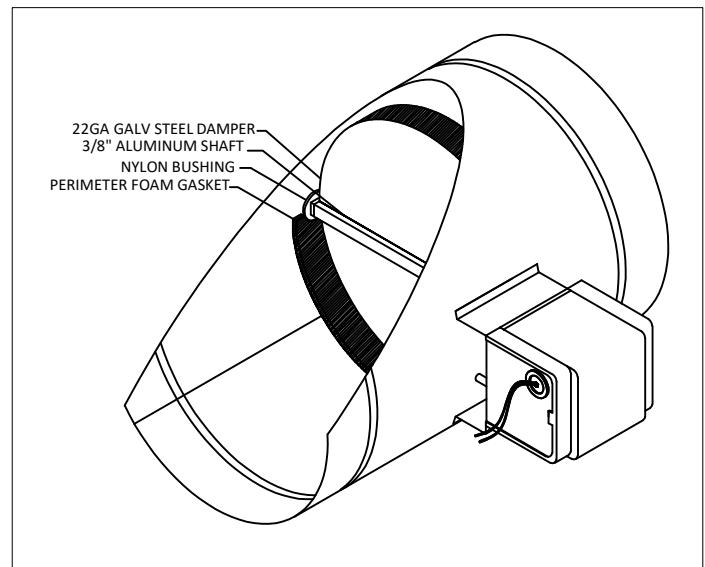
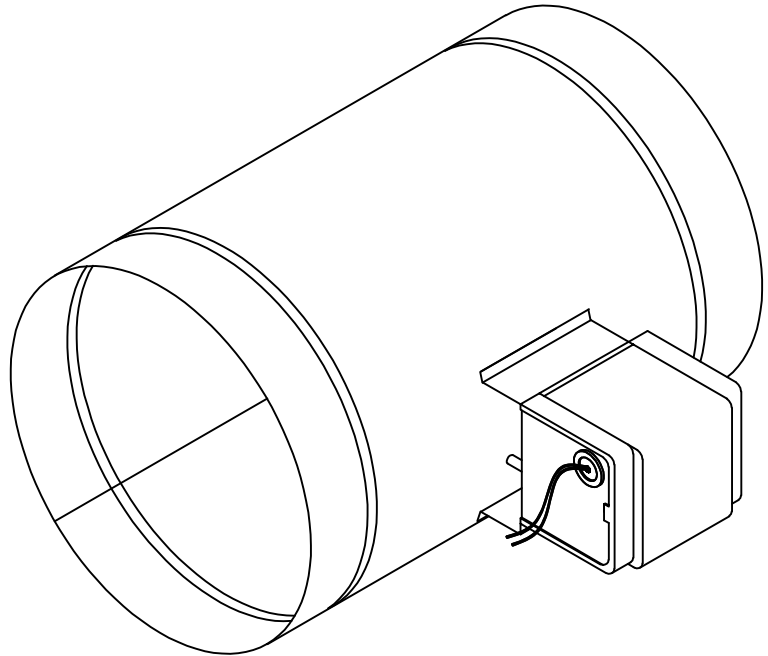
 AVAILABLE WITH TWO (2) MOTOR ACTUATOR STYLES:
 POSC (STANDARD): POWER OPEN (24VAC), SPRING CLOSE
 POPC (OPTIONAL): POWER OPEN, POWER CLOSE (24VAC)
 CUSTOM SIZES AVAILABLE

FEATURES:

 GALVANIZED STEEL.
 3/8" ALUMINUM SHAFT AND 22GA DAMPER BLADE.
 PERIMETER FOAM GASKET TO REDUCE LEAKAGE WHEN DAMPER IS CLOSED.
 OPERATION CAN BE REVERSED FROM POSC TO PCSO (POWER CLOSE, SPRING OPEN) BY LOOSENING SHAFT COLLAR SET SCREW, AND RESETTING BLADE AT 90 DEGREES.

SIZES:

MODEL	DIAMETER	BODY LENGTH	QTY.
MZDR04-POSC	4"	10"	1
MZDR05-POSC	5"	10"	1
MZDR06-POSC	6"	10"	1
MZDR07-POSC	7"	10"	1
MZDR08-POSC	8"	10"	1
MZDR09-POSC	9"	12"	1
MZDR10-POSC	10"	12"	1
MZDR12-POSC	12"	16"	1
MZDR14-POSC	14"	16"	1
MZDR16-POSC	16"	20"	1
MZDR18-POSC	18"	20"	1



JOB NAME:
LOCATION:
ARCHITECT:
ENGINEER:
CONTRACTOR:
CONTACT GRILLE TECH INC. FOR ADDITIONAL INFORMATION OR WITH SPECIAL REQUIREMENTS. 5101 NW 36TH AVE MIAMI, FL 33142 PHONE: 305-537-0053 FAX: 305-537-0064 WEB: WWW.GRILLETECHINC.COM EMAIL: SALES@GRILLETECHINC.COM

MZDR

Motorized Zone Damper, Round

DRAWN BY:	MR	DATE:	8/02/17	SCALE:	NOT TO SCALE
CHECKED BY:	IV	DATE:	8/31/17	REVISION:	8/02/17

 DRAWING NO.
MZDR