

STANDARD CONSTRUCTION
MATERIAL:

26 GAUGE ASTM A-653 HOT-DIPPED
GALVANIZED STEEL SHEET.
R4 OR R6 DIFFUSER BOARD

STANDARD SIZES:

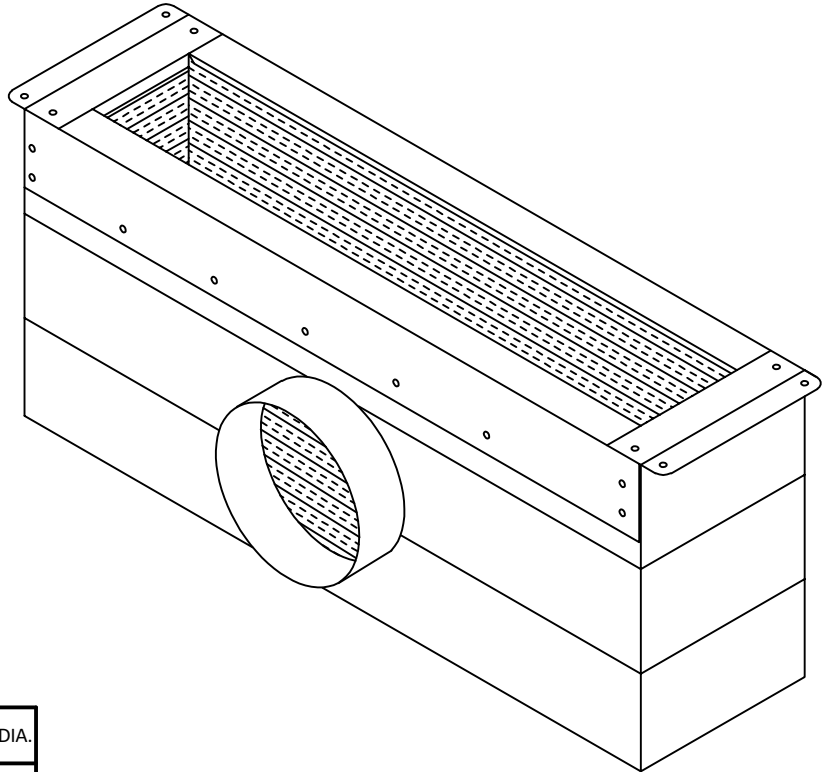
12" TO 60" INCHES LONG
FOR ONE TO FOUR SLOT SERIES LS/LR
ADJUSTABLE LINEAR SLOT DIFFUSERS.

COLLAR DIAMETERS:

4" - 9" ROUND
10" - 12" OVAL

FEATURES:

GALVANIZED STEEL PROVIDES EXCELLENT
CORROSION RESISTANCE AND LONGEVITY.
AVAILABLE IN OTHER GAUGES.
CUSTOM SIZES AND MULTIPLE COLLARS
AVAILABLE.

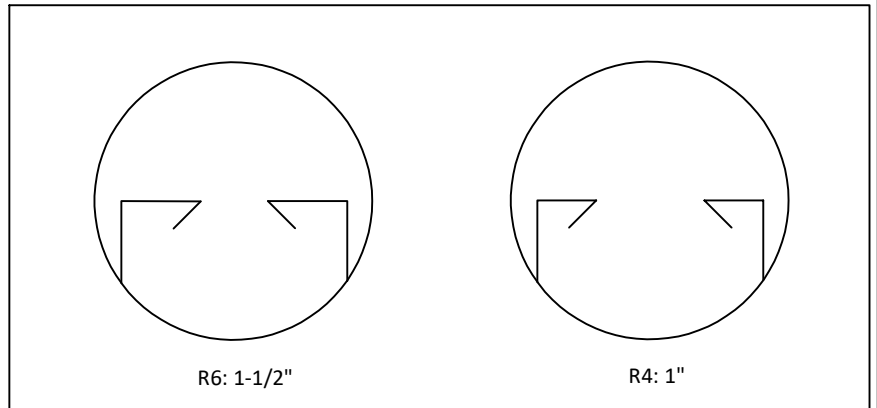

PART NOMENCLATURE

MODEL NUMBER	R-VALUE	LENGTH	WIDTH	COLLAR DIA.
LPB	R	60	10	08

LPB: LINEAR PLENUM BOX

R4: 1"
R6: 1-1/2"

JOB NAME:
LOCATION:
ARCHITECT:
ENGINEER:
CONTRACTOR:
<p>CONTACT GRILLE TECH INC. FOR ADDITIONAL INFORMATION OR WITH SPECIAL REQUIREMENTS.</p> <p>5101 NW 36TH AVE MIAMI, FL 33142 PHONE: 305-537-0053 FAX: 305-537-0064</p> <p>WEB: WWW.GRILLETECHINC.COM EMAIL: SALES@GRILLETECHINC.COM</p>



LPB R4/R6
LINEAR PLENUM BOX
INSULATED

DRAWN BY: MR	DATE: 8/15/17	SCALE: NOT TO SCALE	DRAWING NO. LPB
CHECKED BY: IG	DATE: 8/15/17	REVISION: 8/15/17	

LPB-40 Linear Plenum Boot Diffuser, 1 & 2 Slot
MODEL LPB-40, 1 SLOT (1 3/4" Wide)

2 FT Ak .067	CFM	20	40	60	80	100	120	140
	Ps	0.01	0.03	0.06	0.11	0.17	0.25	0.34
	NC	<20	<20	<20	23	29	35	40
	Throw	1-2-6	4-6-13	6-10-15	9-13-18	11-14-20	13-15-22	14-17-24
3 FT Ak .100	CFM	30	60	90	120	150	180	210
	Ps	0.01	0.03	0.06	0.11	0.17	0.25	0.34
	NC	<20	<20	<20	24	31	37	41
	Throw	1-3-8	5-8-15	8-12-19	11-15-22	13-17-24	15-19-27	17-20-29
4 FT Ak .134	CFM	40	80	120	160	200	240	280
	Ps	0.01	0.03	0.06	0.11	0.17	0.25	0.34
	NC	<20	<20	<20	26	32	38	43
	Throw	1-3-9	5-9-18	9-14-22	12-18-28	15-20-28	18-22-31	19-24-33
5 FT Ak .167	CFM	50	100	150	200	250	300	350
	Ps	0.01	0.03	0.06	0.11	0.17	0.25	0.35
	NC	<20	<20	<20	27	33	39	44
	Throw	2-3-10	6-10-20	10-15-24	14-20-28	17-22-32	20-24-35	22-26-37

MODEL LPB-40, 2 SLOT (3 1/2" Wide)

2 FT Ak .134	CFM	40	80	120	160	200	240	280
	Ps	0.01	0.03	0.06	0.11	0.17	0.25	0.34
	NC	<20	<20	<20	26	32	38	43
	Throw	1-3-9	5-9-18	9-14-22	12-18-25	15-20-28	18-22-31	19-24-33
3 FT Ak .200	CFM	60	120	180	240	300	360	420
	Ps	0.01	0.03	0.06	0.11	0.17	0.25	0.34
	NC	<20	<20	<20	27	34	40	44
	Throw	2-4-11	7-11-22	11-17-27	15-22-31	19-24-35	22-27-38	24-29-41
4 FT Ak .267	CFM	80	160	240	320	400	480	560
	Ps	0.01	0.03	0.06	0.11	0.17	0.25	0.34
	NC	<20	<20	20	29	35	41	46
	Throw	2-4-13	8-13-25	13-19-31	17-25-36	21-28-40	25-31-44	27-33-47
5 FT Ak .334	CFM	100	200	300	400	500	600	700
	Ps	0.01	0.03	0.06	0.11	0.17	0.25	0.34
	NC	<20	<20	21	30	36	42	47
	Throw	2-5-14	9-14-28	14-22-35	19-28-40	24-32-45	28-35-49	31-37-53

Notes:

1. NC based on 10db room attenuation.
2. < = NC less than 20db.
3. Throw (150-100-50 FPM).
4. Size 8" collar utilized.
5. Throw based on isothermal air.

LPB-40 Linear Plenum Boot Diffuser, 3 & 4 Slot
MODEL LPB-40, 3 SLOT (5 1/4")

2 FT Ak .200	CFM	60	120	180	240	300	360	420
	Ps	0.01	0.03	0.06	0.11	0.17	0.25	0.34
	NC	<20	<20	<20	27	34	40	44
	Throw	2-4-11	7-11-22	11-17-27	15-22-31	19-24-35	22-27-38	24-29-41
3 FT Ak .301	CFM	90	180	270	360	450	540	630
	Ps	0.01	0.03	0.06	0.11	0.17	0.25	0.34
	NC	<20	<20	21	29	36	41	46
	Throw	2-5-14	8-14-27	14-21-33	18-27-38	23-30-42	27-33-46	29-35-50
4 FT Ak .401	CFM	120	240	360	480	600	720	840
	Ps	0.01	0.03	0.06	0.11	0.17	0.25	0.34
	NC	<20	<20	22	30	37	43	47
	Throw	2-5-16	9-16-31	16-24-38	21-31-44	26-35-49	31-38-54	33-41-58
5 FT Ak .501	CFM	150	300	450	600	750	900	1050
	Ps	0.01	0.03	0.06	0.11	0.17	0.25	0.34
	NC	<20	<20	23	31	38	44	48
	Throw	3-6-18	11-18-35	18-26-42	24-35-49	29-39-55	35-42-60	37-46-65

MODEL LPB-40, 4 SLOT (7")

2 FT Ak .267	CFM	80	160	240	320	400	480	560
	Ps	0.01	0.03	0.06	0.11	0.17	0.25	0.34
	NC	<20	<20	20	29	35	41	46
	Throw	2-4-13	8-13-25	13-19-31	17-25-36	21-28-40	25-31-44	27-33-47
3 FT Ak .401	CFM	120	240	360	480	600	720	840
	Ps	0.01	0.03	0.06	0.11	0.17	0.25	0.34
	NC	<20	<20	22	30	37	43	47
	Throw	2-5-16	9-16-31	16-24-38	21-31-44	26-35-49	31-38-54	33-41-58
4 FT Ak .534	CFM	160	320	480	640	800	960	1120
	Ps	0.01	0.03	0.06	0.11	0.17	0.25	0.34
	NC	<20	<20	23	32	38	44	49
	Throw	3-6-8	11-18-36	18-27-44	24-36-51	30-40-57	36-44-62	39-47-67
5 FT Ak .668	CFM	200	400	600	800	1000	1200	1400
	Ps	0.01	0.03	0.06	0.11	0.17	0.25	0.34
	NC	<20	<20	25	33	39	45	50
	Throw	3-7-20	12-20-40	20-31-49	27-40-57	34-45-63	40-49-69	43-53-75

Notes:

1. NC based on 10db room attenuation.
2. < = NC less than 20db.
3. Throw (150-100-50 FPM).
4. Size 8" collar utilized.
5. Throw based on isothermal air.



LPB-60 Linear Plenum Boot Diffuser, 1 & 2 Slot

MODEL LPB-60, 1 SLOT (2" Wide)

2 FT Ak .082	CFM	20	40	60	80	100	120	140
	Ps	0.01	0.02	0.04	0.08	0.12	0.17	0.23
	NC	<20	<20	<20	<20	25	31	35
	Throw	1-2-6	3-6-12	6-9-15	8-12-18	10-14-20	12-15-22	14-17-24
3 FT Ak .124	CFM	30	60	90	120	150	180	210
	Ps	0.01	0.02	0.04	0.08	0.12	0.17	0.23
	NC	<20	<20	<20	21	27	33	37
	Throw	1-2-7	3-7-14	7-11-19	9-14-22	12-17-24	14-19-27	17-20-29
4 FT Ak .165	CFM	40	80	120	160	200	240	280
	Ps	0.01	0.02	0.04	0.08	0.12	0.17	0.23
	NC	<20	<20	<20	22	28	34	38
	Throw	1-2-8	4-8-16	8-12-22	11-16-25	14-20-28	16-22-31	19-24-33
5 FT Ak .206	CFM	50	100	150	200	250	300	350
	Ps	0.01	0.02	0.04	0.08	0.12	0.17	0.23
	NC	<20	<20	<20	23	29	35	39
	Throw	1-3-9	4-9-18	9-14-24	12-18-28	15-22-32	18-24-35	21-26-37

MODEL LPB-60, 2 SLOT (4" Wide)

2 FT Ak .165	CFM	40	80	120	160	200	240	280
	Ps	0.01	0.02	0.04	0.08	0.12	0.17	0.23
	NC	<20	<20	<20	22	28	34	38
	Throw	1-2-8	4-8-16	8-12-22	11-16-25	14-20-28	16-22-31	19-24-33
3 FT Ak .247	CFM	60	120	180	240	300	360	420
	Ps	0.01	0.02	0.04	0.08	0.12	0.17	0.23
	NC	<20	<20	<20	24	30	36	40
	Throw	1-3-10	5-10-20	10-15-27	13-20-31	17-24-35	20-27-38	23-29-41
4 FT Ak .330	CFM	80	160	240	320	400	480	560
	Ps	0.01	0.02	0.04	0.08	0.12	0.17	0.23
	NC	<20	<20	<20	25	31	37	41
	Throw	1-3-12	6-12-23	12-17-31	15-23-36	19-28-40	23-31-44	27-33-47
5 FT Ak .412	CFM	100	200	300	400	500	600	700
	Ps	0.01	0.02	0.04	0.08	0.12	0.17	0.23
	NC	<20	<20	<20	26	32	38	42
	Throw	2-4-13	6-13-26	13-19-35	17-26-40	22-32-45	26-35-49	30-37-53

Notes:

1. NC based on 10db room attenuation.
2. < = NC less than 20db.
3. Throw (150-100-50 FPM).
4. Size 10" collar utilized.
5. Throw based on isothermal air, one way discharge.

LPB-60 Linear Plenum Boot Diffuser, 3 & 4 Slot

MODEL LPB-60, 3 SLOT (6" Wide)

2 FT Ak .247	CFM	60	120	180	240	300	360	420
	Ps	0.01	0.02	0.04	0.08	0.12	0.17	0.23
	NC	<20	<20	<20	24	30	36	40
	Throw	1-3-10	5-10-20	10-15-27	13-20-31	17-24-35	20-27-38	23-29-41
3 FT Ak .371	CFM	90	180	270	360	450	540	630
	Ps	0.01	0.02	0.04	0.08	0.12	0.17	0.23
	NC	<20	<20	<20	25	32	37	42
	Throw	1-3-12	6-12-25	12-18-33	16-25-38	21-30-42	25-33-46	29-35-50
4 FT Ak .494	CFM	120	240	360	480	600	720	840
	Ps	0.01	0.02	0.04	0.08	0.12	0.17	0.23
	NC	<20	<20	<20	27	33	39	43
	Throw	2-4-14	7-14-28	14-21-38	19-28-44	24-35-49	28-38-54	32-41-58
5 FT Ak .618	CFM	150	300	450	600	750	900	1050
	Ps	0.01	0.02	0.04	0.08	0.12	0.17	0.23
	NC	<20	<20	<20	28	34	40	44
	Throw	2-4-16	8-16-32	16-24-42	21-32-49	27-39-55	32-42-60	37-46-65

MODEL LPB-60, 4 SLOT (8" Wide)

2 FT Ak .330	CFM	80	160	240	320	400	480	560
	Ps	0.01	0.02	0.04	0.08	0.12	0.17	0.23
	NC	<20	<20	<20	25	31	37	41
	Throw	1-3-12	6-12-23	12-17-31	15-23-36	19-28-40	23-31-44	27-33-47
3 FT Ak .494	CFM	120	240	360	480	600	720	840
	Ps	0.01	0.02	0.04	0.08	0.12	0.17	0.23
	NC	<20	<20	<20	27	33	39	43
	Throw	2-4-14	7-14-28	14-21-38	19-28-44	24-35-49	28-38-54	33-41-58
4 FT Ak .659	CFM	160	320	460	640	800	960	1120
	Ps	0.01	0.02	0.04	0.08	0.12	0.17	0.23
	NC	<20	<20	<20	28	34	40	44
	Throw	2-4-16	8-16-33	16-25-44	22-33-51	27-40-57	33-44-62	38-47-67
5 FT Ak .824	CFM	200	400	600	800	1000	1200	1400
	Ps	0.01	0.02	0.04	0.08	0.12	0.17	0.23
	NC	<20	<20	<20	29	35	41	45
	Throw	2-5-18	9-18-37	18-28-49	24-37-57	31-45-63	37-49-69	43-53-75

Notes:

1. NC based on 10db room attenuation.
2. < = NC less than 20db.
3. Throw (150-100-50 FPM).
4. Size 10" collar utilized.
5. Throw based on isothermal air, one way discharge.

LPB Linear Plenum Boot Diffuser (Return)

LPB - R SIZE 1.8/ NON DUCTED / RETURN							
AK = 0.08 / FT OF SLOT							
CFM/FT	10	20	30	40	50	60	70
Ps	0.01	0.01	0.02	0.03	0.05	0.07	0.10
NC	<20	<20	<20	<20	25	26	33

LPB - R SIZE 2.3/ NON DUCTED / RETURN							
AK = 0.115 / FT OF SLOT							
CFM/FT	10	20	30	40	50	60	70
Ps	0.01	0.01	0.01	0.02	0.03	0.05	0.06
NC	<20	<20	<20	<20	20	22	28

LPB - R SIZE 3.5/ NON DUCTED / RETURN							
AK = 0.124 / FT OF SLOT							
CFM/FT	10	20	30	40	50	60	70
Ps	0.01	0.01	0.01	0.01	0.02	0.03	0.05
NC	<20	<20	<20	<20	<20	<20	20

Notes:

1. NC based on 10db room attenuation, 4 foot length.
2. Also available in multiple slot configurations.