

STANDARD CONSTRUCTION
FRAME:

HEAVY EXTRUDED ALUMINUM CONSTRUCTION. FRAME IS ASSEMBLED USING CORNER CLIPS TO ASSURE HAIRLINE MITERED CORNERS AND IS DESIGNED TO ACCOMMODATE 1" THICK WASHABLE FILTER MEDIUM PROVIDED AT THE FACTORY. (1" WASHABLE FILTER HOG HAIR TYPE AND WIRE REINFORCED.)

BLADES:

HEAVY ROLL FORMED ALUMINUM. EACH BADE IS PERMANENTLY FIXED AT 45° IN ALL ALUMINUM CORE FRAME.

ACCESS DOOR:

MADE OF STUCCO EMBOSSED GALV-ALUM SHEET (AZ50) WITH A PERIMETER ALUMINUM CHANNEL AND 1" R-4.2 FOIL FACED FIBERGLASS BOARD FOR INSULATION AND SOUND ATTENUATION.

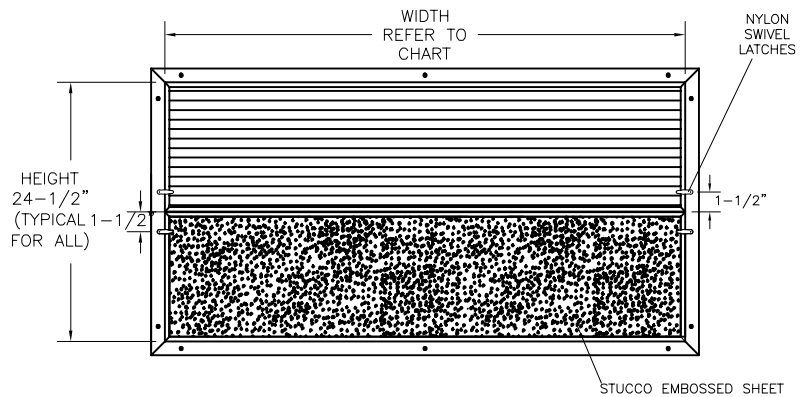
INSTALLATION:

ALLOW 2-1/2" CLEARANCE WHEN INSTALLING BELOW DAIKIN INDOOR UNIT.

FINISH:

SKY-WHITE (STANDARD)

AXALTA SKY-WHITE 100% POLYESTER POWDER COATING GIVES AN ATTRACTIVE BRIGHT WHITE FINISH AND PROVIDES ADDITIONAL PROTECTION FROM AGING AND WEAR.


WIDTH CHART

1	APRF18/24HX	39-3/4"
2	APRF25/30HX	45-3/4"
3	APRF31/36HX	52-1/4"
4	APRF37HX	59-3/4"

RETURN AIR CORE CHART
SERVICE DOOR CHART

1	39-1/2" X 11-1/2"	1	39-1/2" X 11-1/2"
2	45-1/2" X 11-1/2"	2	45-1/2" X 11-1/2"
3	52" X 11-1/2"	3	52" X 11-1/2"
4	59-1/2" X 11-1/2"	4	59-1/2" X 11-1/2"

JOB NAME: _____

LOCATION: _____

ARCHITECT: _____

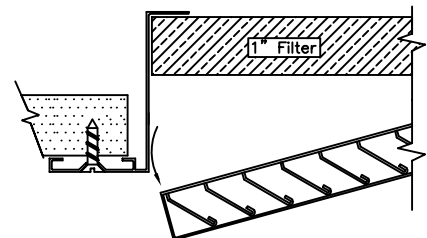
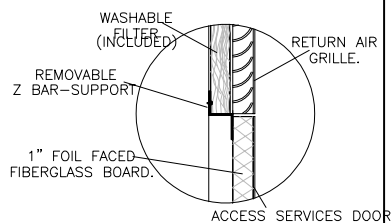
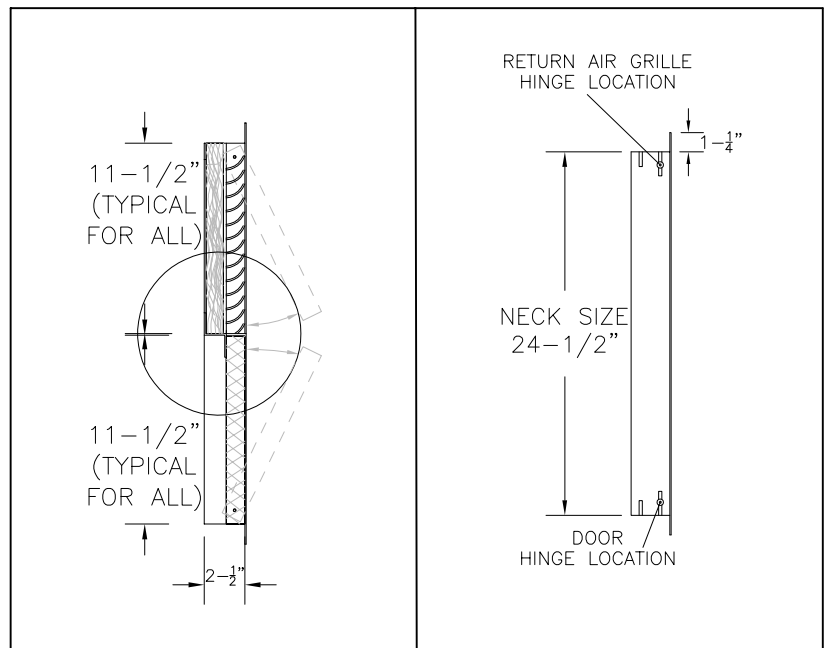
ENGINEER: _____

CONTRACTOR: _____

CONTACT GRILLE TECH INC. FOR ADDITIONAL INFORMATION OR WITH SPECIAL REQUIREMENTS.

5101 NW 36TH AVE
MIAMI, FL 33142
PHONE: 305-537-0053
FAX: 305-537-0064

WEB: WWW.GRILLETECHINC.COM
EMAIL: SALES@GRILLETECHINC.COM


FIRST CO. HX-SERIES

ACCESS PANEL/RETURN AIR WITH FILTER
ACCES PANEL RETURN WITH FILTER

NOTE: ALL DRAWINGS SUBJECT TO CHANGE WITHOUT PRIOR NOTICE.

DRAWN BY: MR	DATE: 8/11/17	SCALE: NOT TO SCALE	DRAWING NO. HX-SERIES
CHECKED BY: IG	DATE: 8/31/17	REVISION: 8/11/17	