

**STANDARD CONSTRUCTION**
**FRAME:**

EXTRUDED ALUMINUM.  
CORNER CLIPS ASSURE HAIRLINE MITERED CORNERS.  
DESIGNED TO ACCOMMODATE 1" THICK  
WIRE-REINFORCED WASHABLE HOG HAIR FILTER  
(FILTER PROVIDED)

**BLADES:**

ROLL FORMED ALUMINUM.  
ALL BLADES FIXED AT 45° IN ALL ALUMINUM CORE  
FRAME.

**ACCESS DOORS:**

MADE OF STUCCO EMBOSSED GALV-ALUM STEEL  
SHEET (AZ50) WITH A PERIMETER ALUMINUM  
CHANNEL AND 1" R42 FOIL FACED FIBERGLASS BOARD  
FOR INSULATION AND SOUND ATTENUATION.

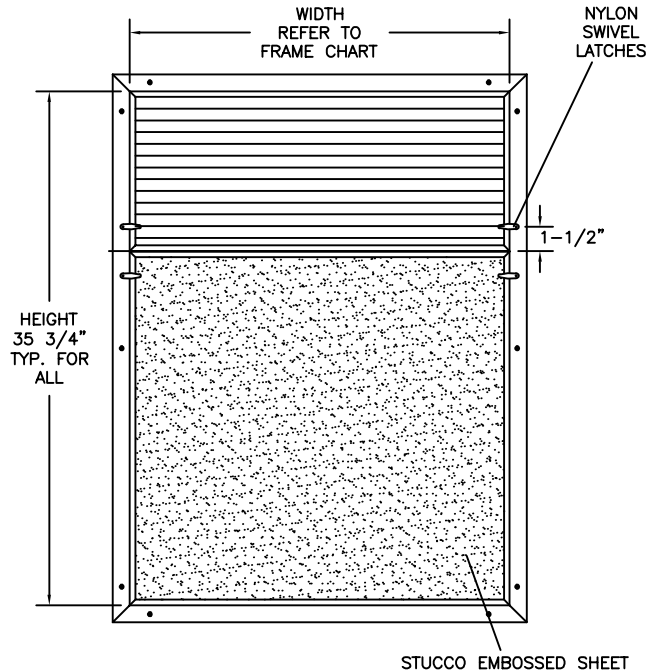
**INSTALLATION:**

ALLOW 2-1/2" CLEARANCE WHEN INSTALLING BELOW  
DAIKIN INDOOR UNIT.

**FINISH:**

SKY-WHITE (STANDARD)

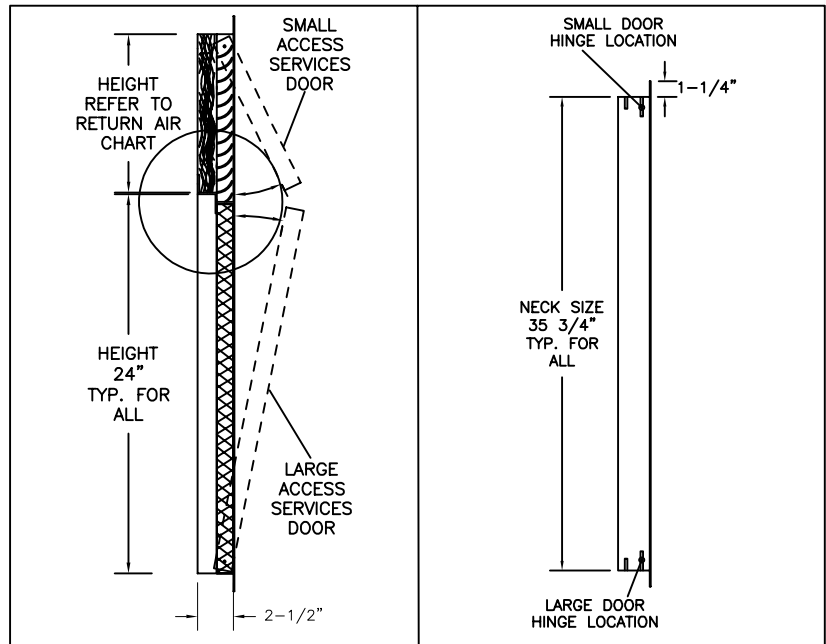
AXALTA SKY-WHITE 100% POLYESTER POWDER  
COATING GIVES AN ATTRACTIVE BRIGHT WHITE FINISH  
AND PROVIDES ADDITIONAL PROTECTION FROM  
AGING AND WEAR.



FRAME CHART					
	MODEL	WIDTH	HEIGHT		
1	APRFFXSQ12	25 3/4"	35 3/4"		
2	APRFFXSQ18	31 3/4"	35 3/4"		
3	APRFFXSQ24	43 3/4"	35 3/4"		
4	APRFFXSQ303648	59 3/4"	35 3/4"		

RETURN AIR CORE CHART			SERVICE DOOR CHART		
	WIDTH	HEIGHT		WIDTH	HEIGHT
1	25 1/2"	11 1/2"	1	25 1/2"	24"
2	31 1/2"	11 1/2"	2	31 1/2"	24"
3	43 1/2"	11 1/2"	3	43 1/2"	24"
4	59 1/2"	11 1/2"	4	59 1/2"	24"



JOB NAME: \_\_\_\_\_

LOCATION: \_\_\_\_\_

ARCHITECT: \_\_\_\_\_

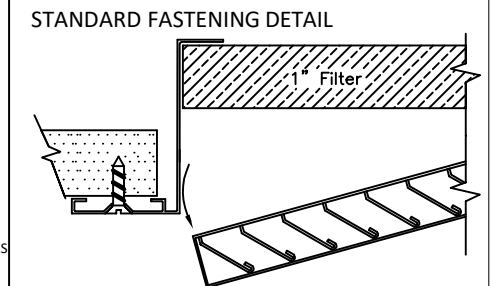
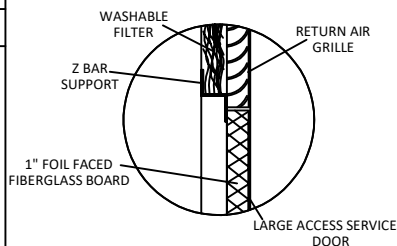
ENGINEER: \_\_\_\_\_

CONTRACTOR: \_\_\_\_\_

CONTACT GRILLE TECH INC. FOR  
ADDITIONAL INFORMATION OR WITH  
SPECIAL REQUIREMENTS.

5101 NW 36TH AVE  
MIAMI, FL 33142  
PHONE: 305-537-0053  
FAX: 305-537-0064

WEB: WWW.GRILLETECHINC.COM  
EMAIL: SALES@GRILLETECHINC.COM


**DAIKIN FXSQ-SERIES**

ACCESS PANEL / RETURN AIR WITH FILTER  
PRODUCT SPECIFICATIONS

NOTE: ALL DRAWINGS SUBJECT TO CHANGE WITHOUT PRIOR NOTICE.

DRAWN BY: MR	DATE: 8/11/17	SCALE: NOT TO SCALE	DRAWING NO. FXSQ-APRF
CHECKED BY: IG	DATE: 8/31/17	REVISION: 8/11/17	