

STANDARD CONSTRUCTION
FRAME:

EXTRUDED ALUMINUM.
 CORNER CLIPS ASSURE HAIRLINE MITERED CORNERS.
 DESIGNED TO ACCOMMODATE 1" THICK
 WIRE-REINFORCED WASHABLE HOG HAIR FILTER
 (FILTER PROVIDED)

ACCESS DOORS:

MADE OF STUCCO EMBOSSED GALV-ALUM STEEL SHEET
 (AZ50) WITH A PERIMETER ALUMINUM CHANNEL AND
 1" R-42 FOIL FACED FIBERGLASS BOARD FOR
 INSULATION AND SOUND ATTENUATION

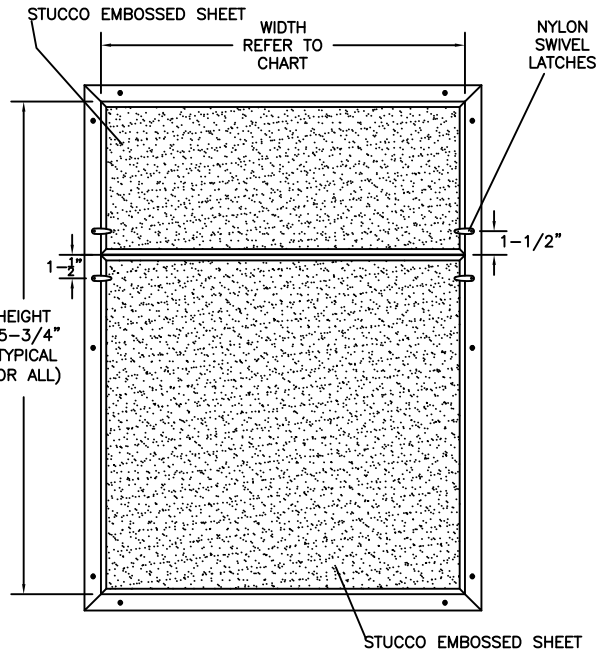
INSTALLATION:

ALLOW 2-1/2" CLEARANCE WHEN INSTALLING BELOW
 DAIKIN INDOOR UNIT.

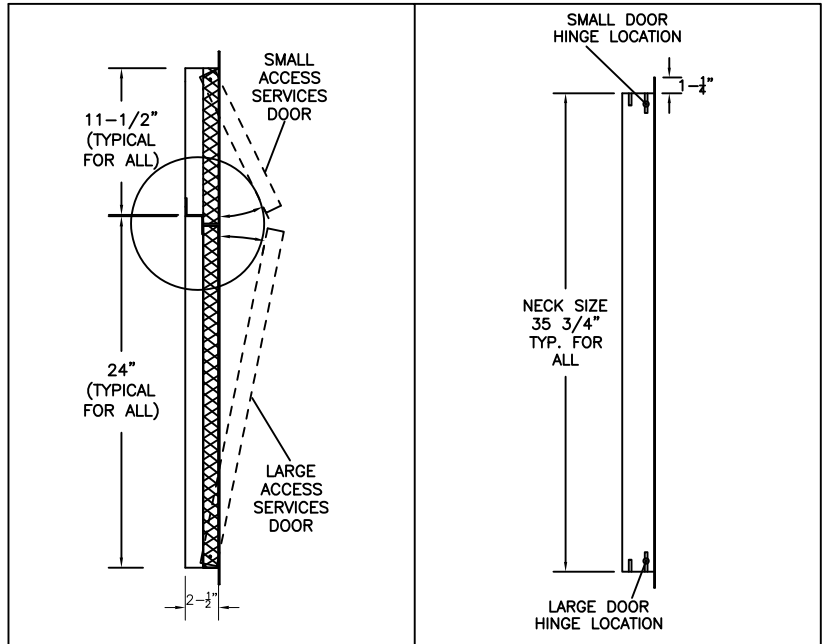
FINISH:

SKY-WHITE (STANDARD)

AXALTA SKY-WHITE 100% POLYESTER POWDER COATING
 GIVES AN ATTRACTIVE BRIGHT WHITE FINISH AND
 PROVIDES ADDITIONAL PROTECTION FROM AGING AND
 WEAR.


STANDARD SIZES:

FRAME CHART					
	MODEL	WIDTH	HEIGHT		
1	APFXSQ05/07/09/12	25 3/4"	35 3/4"		
2	APFXSQ15	31 3/4"	35 3/4"		
3	APFXSQ18/24/30	43 3/4"	35 3/4"		
4	APFXSQ36/48	59 3/4"	35 3/4"		
SMALL SERVICE DOOR			LARGE SERVICE DOOR		
	WIDTH	HEIGHT		WIDTH	HEIGHT
1	25 1/2"	11 1/2"	1	25 1/2"	24"
2	31 1/2"	11 1/2"	2	31 1/2"	24"
3	43 1/2"	11 1/2"	3	43 1/2"	24"
4	59 1/2"	11 1/2"	4	59 1/2"	24"



JOB NAME: _____

LOCATION: _____

ARCHITECT: _____

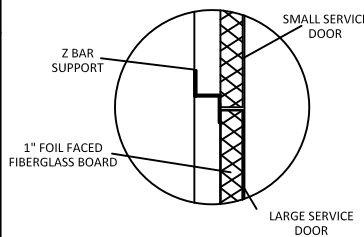
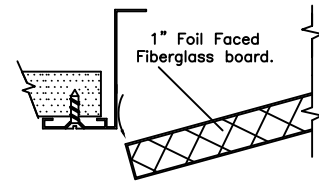
ENGINEER: _____

CONTRACTOR: _____

CONTACT GRILLE TECH INC. FOR
 ADDITIONAL INFORMATION OR WITH
 SPECIAL REQUIREMENTS.

5101 NW 36TH AVE
 MIAMI, FL 33142
 PHONE: 305-537-0053
 FAX: 305-537-0064

WEB: WWW.GRILLETECHINC.COM
 EMAIL: SALES@GRILLETECHINC.COM


STANDARD FASTENING DETAIL

DAIKIN APFXSQ

ACCESS PANEL WITH DOUBLE DOOR
 PRODUCT SPECIFICATIONS

NOTE: ALL DRAWINGS SUBJECT TO CHANGE WITHOUT PRIOR NOTICE.

DRAWN BY: MR	DATE: 8/11/17	SCALE: NOT TO SCALE	DRAWING NO.
CHECKED BY: IG	DATE: 8/31/17	REVISION: 4/29/22	APFXSQ