

STANDARD CONSTRUCTION
FRAME:

EXTRUDED ALUMINUM.
CORNER CLIPS ASSURE HAIRLINE MITERED CORNERS.
DESIGNED TO ACCOMMODATE 1" THICK
WIRE-REINFORCED WASHABLE HOG HAIR FILTER
(FILTER PROVIDED)

BLADES:

ROLL FORMED ALUMINUM.
ALL BLADES FIXED AT 45° IN ALL ALUMINUM CORE
FRAME.

ACCESS DOORS:

MADE OF STUCCO EMBOSSED GALV-ALUM STEEL
SHEET (AZ50) WITH A PERIMETER ALUMINUM
CHANNEL AND 1" R-4.2 FOIL FACED FIBERGLASS BOARD
FOR INSULATION AND SOUND ATTENUATION.

INSTALLATION:

ALLOW 2-1/2" CLEARANCE WHEN INSTALLING BELOW
DAIKIN UNIT.

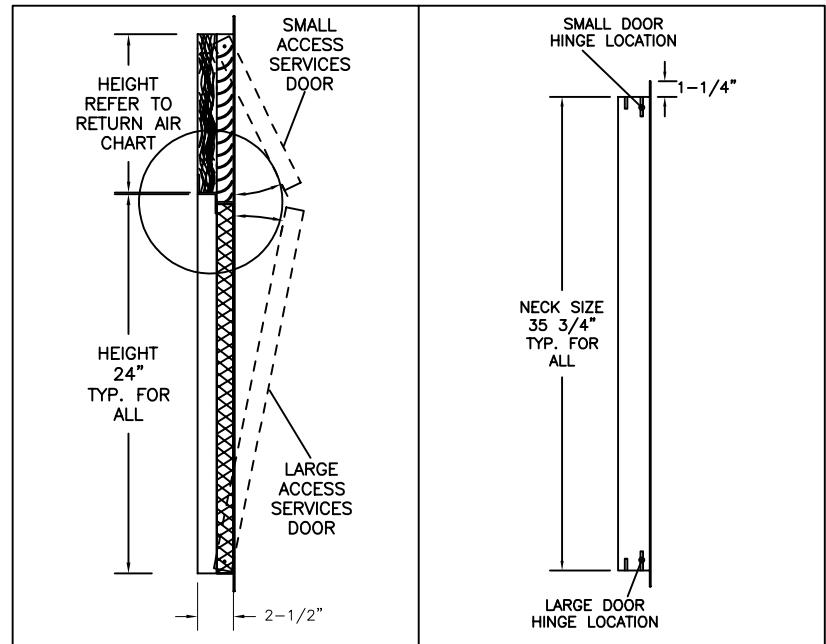
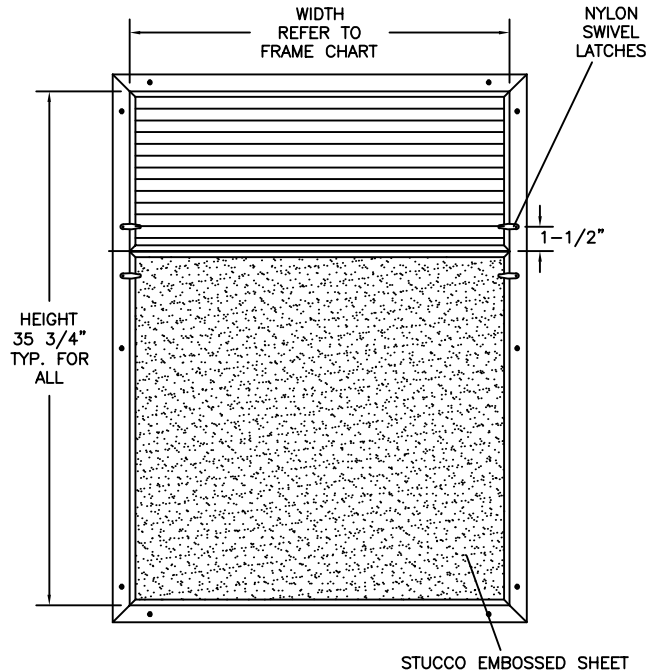
FINISH:

SKY-WHITE (STANDARD)

AXALTA SKY-WHITE 100% POLYESTER POWDER
COATING GIVES AN ATTRACTIVE BRIGHT WHITE FINISH
AND PROVIDES ADDITIONAL PROTECTION FROM
AGING AND WEAR.

STANDARD SIZES:

FRAME CHART					
	MODEL	WIDTH	HEIGHT		
1	APRFFXM30	35 3/4"	45 3/4"		
2	APRFFXM30	45 3/4"	51 3/4"		
RETURN AIR CORE CHART			SERVICE DOOR CHART		
	WIDTH	HEIGHT		WIDTH	HEIGHT
1	35 1/2"	11 1/2"	1	35 1/2"	33 3/4"
2	45 1/2"	11 1/2"	2	45 1/2"	39 3/4"



JOB NAME: _____

LOCATION: _____

ARCHITECT: _____

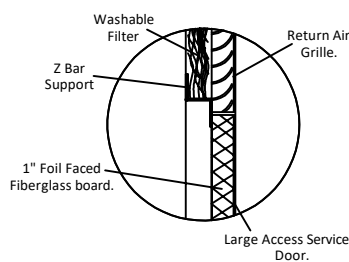
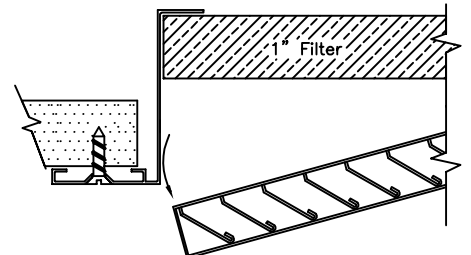
ENGINEER: _____

CONTRACTOR: _____

CONTACT GRILLE TECH INC. FOR
ADDITIONAL INFORMATION OR WITH
SPECIAL REQUIREMENTS.

5101 NW 36TH AVE
MIAMI, FL 33142
PHONE: 305-537-0053
FAX: 305-537-0064

WEB: WWW.GRILLETECHINC.COM
EMAIL: SALES@GRILLETECHINC.COM


STANDARD FASTENING DETAIL

DAIKIN FXMQ-SERIES

ACCESS PANEL / RETURN AIR WITH FILTER
PRODUCT SPECIFICATIONS

NOTE: ALL DRAWINGS SUBJECT TO CHANGE WITHOUT PRIOR NOTICE.

DRAWN BY: MR	DATE: 8/11/17	SCALE: NOT TO SCALE	DRAWING NO. FXMQ-APRF
CHECKED BY: IG	DATE: 8/31/17	REVISION: 8/11/17	