

**STANDARD CONSTRUCTION**
**FRAME:**

EXTRUDED ALUMINUM.  
CORNER CLIPS ASSURE HAIRLINE MITERED CORNERS.

**ACCESS DOORS:**

MADE OF STUCCO EMBOSSED GALV-ALUM STEEL SHEET (AZ50) WITH A PERIMETER ALUMINUM CHANNEL AND 1" R-4.2 FOIL FACED FIBERGLASS BOARD FOR INSULATION AND SOUND ATTENUATION.

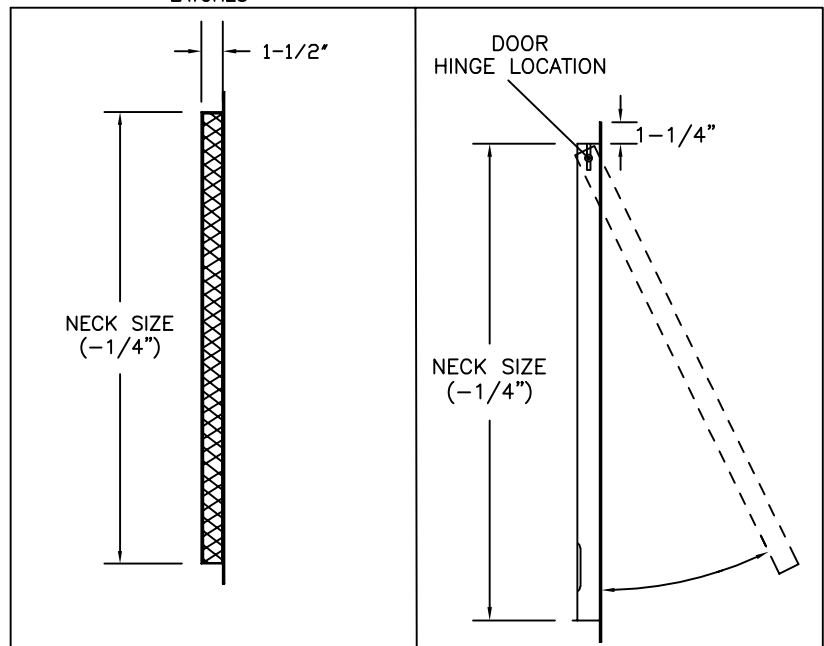
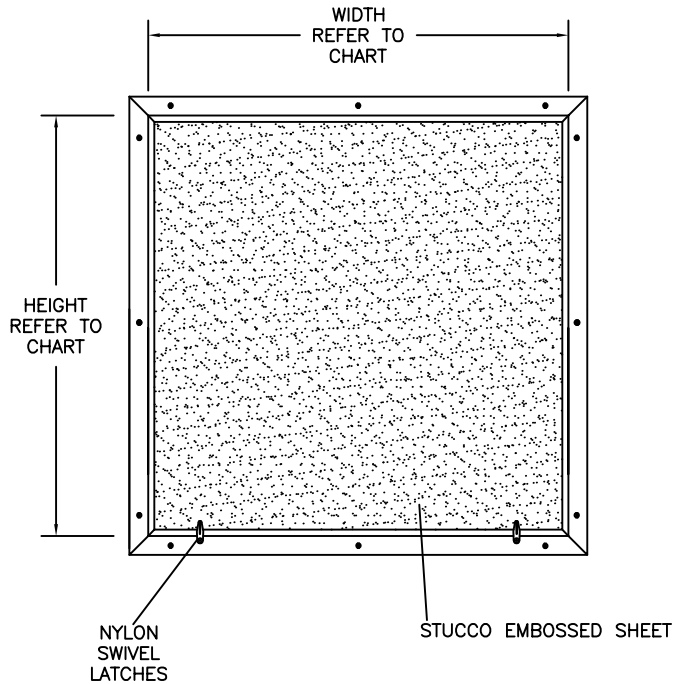
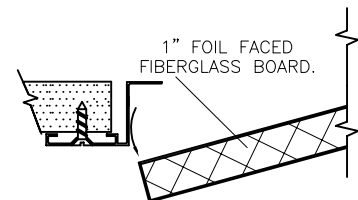
**FINISH:**

SKY-WHITE (STANDARD)

AXALTA SKY-WHITE 100% POLYESTER POWDER COATING GIVES AN ATTRACTIVE BRIGHT WHITE FINISH AND PROVIDES ADDITIONAL PROTECTION FROM AGING AND WEAR.

**STANDARD SIZES:**

FRAME CHART			
	MODEL	WIDTH	HEIGHT
1	APFXMQ30	35 3/4"	33 3/4"
2	APFXMQ3648	51 3/4"	33 3/4"


**STANDARD FASTENING DETAIL**


JOB NAME:
LOCATION:
ARCHITECT:
ENGINEER:
CONTRACTOR:
CONTACT GRILLE TECH INC. FOR ADDITIONAL INFORMATION OR WITH SPECIAL REQUIREMENTS.
5101 NW 36TH AVE MIAMI, FL 33142 PHONE: 305-537-0053 FAX: 305-537-0064
WEB: WWW.GRILLETECHINC.COM EMAIL: SALES@GRILLETECHINC.COM

**DAIKIN FXMQ-SERIES**

ACCESS PANEL DOOR  
PRODUCT SPECIFICATIONS

DRAWN BY: MR	DATE: 8/11/17	SCALE: NOT TO SCALE	DRAWING NO. FXMQ-AP
CHECKED BY: IG	DATE: 8/31/17	REVISION: 8/11/17	