

STANDARD CONSTRUCTION
FRAME:

EXTRUDED ALUMINUM.
 CORNER CLIPS ASSURE HAIRLINE MITERED CORNERS.
 DESIGNED TO ACCOMMODATE 1" THICK
 WIRE-REINFORCED WASHABLE HOG HAIR FILTER (FILTER
 PROVIDED)

BLADES:

ROLL FORMED ALUMINUM.
 ALL BLADES FIXED AT 45° IN AN ALL ALUMINUM CORE
 FRAME.

ACCESS DOORS:

MADE OF STUCCO EMBOSSED GALV-ALUM STEEL SHEET
 (AZ50) WITH A PERIMETER ALUMINUM CHANNEL AND
 1" R-4.2 FOIL FACED FIBERGLASS BOARD FOR
 INSULATION AND SOUND ATTENUATION.

INSTALLATION:

ALLOW 2-1/2" CLEARANCE WHEN INSTALLING BELOW
 DAIKIN INDOOR UNIT.

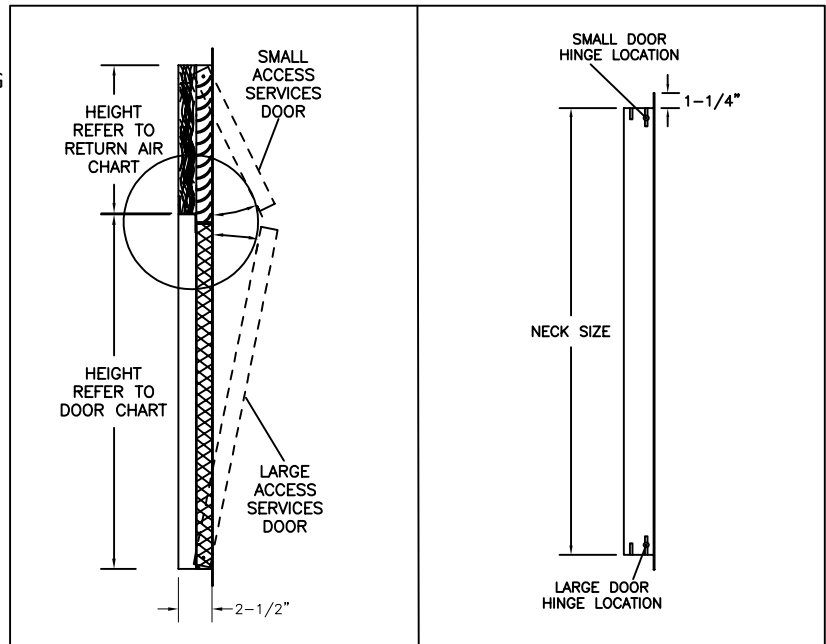
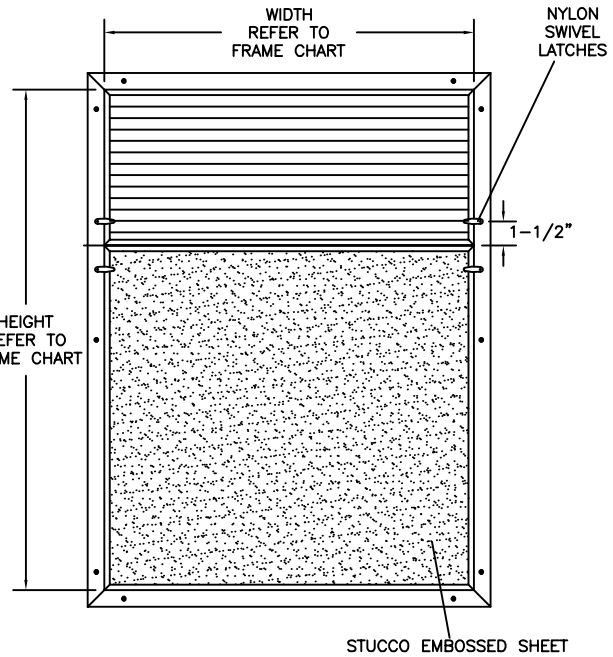
FINISH:

SKY-WHITE (STANDARD)

AXALTA SKY-WHITE 100% POLYESTER POWDER
 COATING GIVES AN ATTRACTIVE BRIGHT WHITE FINISH
 AND PROVIDES ADDITIONAL PROTECTION FROM AGING
 AND WEAR

STANDARD SIZES:

FRAME CHART					
	MODEL	WIDTH	HEIGHT		
1	APRFFXDQ070912	31 3/4"	37 3/4"		
2	APRFFXDQ18	37 3/4"	41 3/4"		
3	APRFFXDQ24	45 3/4"	41 3/4"		
RETURN AIR CORE CHART			SERVICE DOOR CHART		
	WIDTH	HEIGHT		WIDTH	HEIGHT
1	31 1/2"	7 1/2"	1	31 1/2"	30"
2	37 1/2"	11 1/2"	2	37 1/2"	30"
3	45 1/2"	11 1/2"	3	45 1/2"	30"



JOB NAME: _____

LOCATION: _____

ARCHITECT: _____

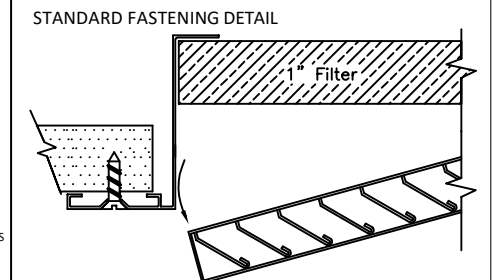
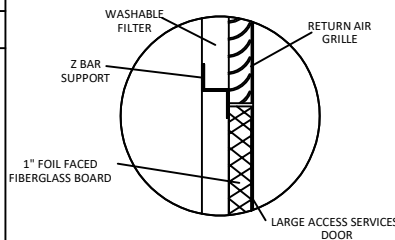
ENGINEER: _____

CONTRACTOR: _____

CONTACT GRILLE TECH INC. FOR
 ADDITIONAL INFORMATION OR WITH
 SPECIAL REQUIREMENTS.

5101 NW 36TH AVE
 MIAMI, FL 33142
 PHONE: 305-537-0053
 FAX: 305-537-0064

WEB: WWW.GRILLETECHINC.COM
 EMAIL: SALES@GRILLETECHINC.COM


DAIKIN FXDQ-SERIES

ACCESS PANEL / RETURN AIR WITH FILTER
 PRODUCT SPECIFICATIONS

NOTE: ALL DRAWINGS SUBJECT TO CHANGE WITHOUT PRIOR NOTICE.

DRAWN BY:	MR	DATE:	8/11/17	SCALE:	NOT TO SCALE	DRAWING NO.:	FXDQ-APRF
CHECKED BY:	IG	DATE:	8/31/17	REVISION:	8/11/17		