

STANDARD CONSTRUCTION
FRAME:

EXTRUDED ALUMINUM.
CORNER CLIPS ASSURE HAIRLINE MITERED CORNERS.

ACCESS DOORS:

MADE OF STUCCO EMBOSSED GALV-ALUM STEEL SHEET (AZ50) WITH A PERIMETER ALUMINUM CHANNEL AND 1" R-4.2 FOIL FACED FIBERGLASS BOARD FOR INSULATION AND SOUND ATTENUATION.

INSTALLATION:

OPENING MUST BE 1/2" LARGER THAN NECK SIZE.
ATTACH USING SUPPLIED SCREWS.

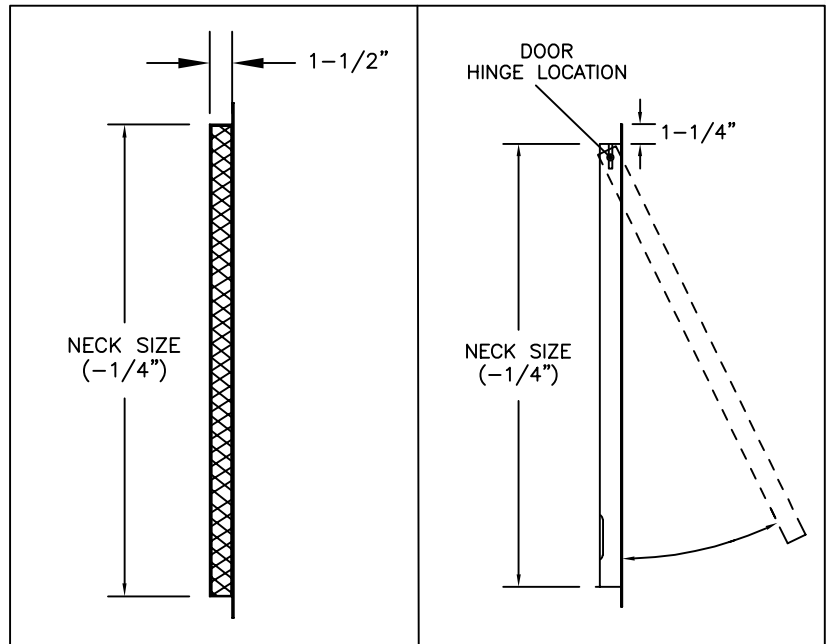
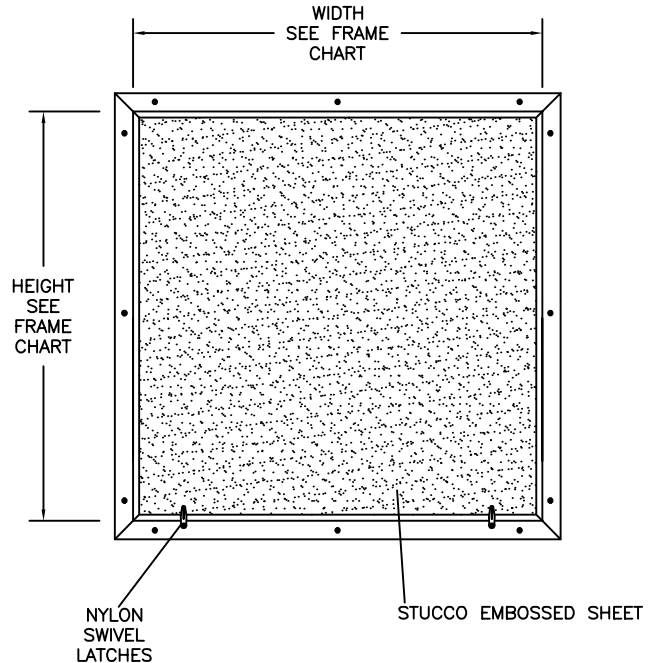
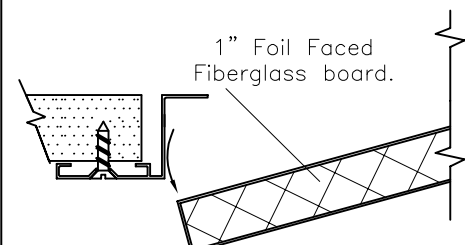
FINISH:

SKY-WHITE (STANDARD)

AXALTA SKY-WHITE 100% POLYESTER POWDER COATING GIVES AN ATTRACTIVE BRIGHT WHITE FINISH AND PROVIDES ADDITIONAL PROTECTION FROM AGING AND WEAR.

STANDARD SIZES:

FRAME CHART		
MODEL	WIDTH	HEIGHT
APFXDQ070912	31 3/4"	29 3/4"
APFXDQ18	37 3/4"	29 3/4"
APFXDQ24	45 3/4"	29 3/4"


STANDARD FASTENING DETAIL


JOB NAME:
LOCATION:
ARCHITECT:
ENGINEER:
CONTRACTOR:
CONTACT GRILLE TECH INC. FOR ADDITIONAL INFORMATION OR WITH SPECIAL REQUIREMENTS.
5101 NW 36TH AVE MIAMI, FL 33142 PHONE: 305-537-0053 FAX: 305-537-0064
WEB: WWW.GRILLETECHINC.COM EMAIL: SALES@GRILLETECHINC.COM

DAIKIN FXDQ-SERIES

ACCESS PANEL DOOR
PRODUCT SPECIFICATIONS

NOTE: ALL DRAWINGS SUBJECT TO CHANGE WITHOUT PRIOR NOTICE.