

STANDARD CONSTRUCTION
FRAME:

EXTRUDED ALUMINUM FRAME IS ASSEMBLED USING CORNER CLIPS TO ASSURE HAIRLINE MITERED CORNERS.

BLADES:

TEARDROP SHAPE ROLL FORMED ALUMINUM. EACH BLADE IS INDIVIDUALLY ADJUSTABLE (WITHOUT USE OF SPECIAL TOOLS). BLADES ARE SPACED 3/4" ON CENTERS AND ARE MOUNTED ON PRESSURE FITTED POLYPROPYLENE RETAINERS TO ASSURE A QUIET AND RIGID ASSEMBLY.
 MODEL EVH: VERTICAL BLADES IN FRONT OF HORIZONTAL BLADES
 MODEL EHV: HORIZONTAL BLADES IN FRONT OF VERTICAL BLADES

GASKET:

RUBBER GASKET IN COMPLIANCE WITH FLORIDA STATE BUILDING CODE

OPTIONAL:

DAMPER: GALVANIZED STEEP OPPOSED BLADE DAMPER IS EASILY ADJUSTED THROUGH FACE.
 * FOR MORE DETAILS SEE SUBMITTAL "OBD"
 INSECT SCREEN: (NOT RECOMMENDED WITH DAMPER OPTION)

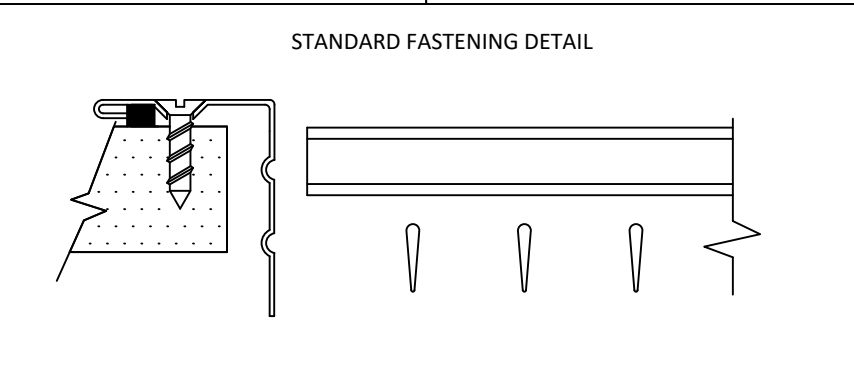
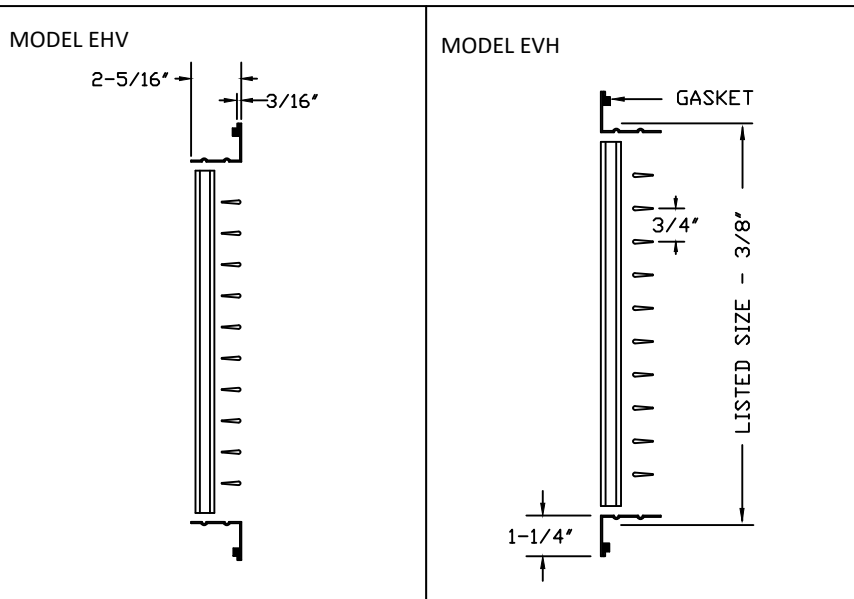
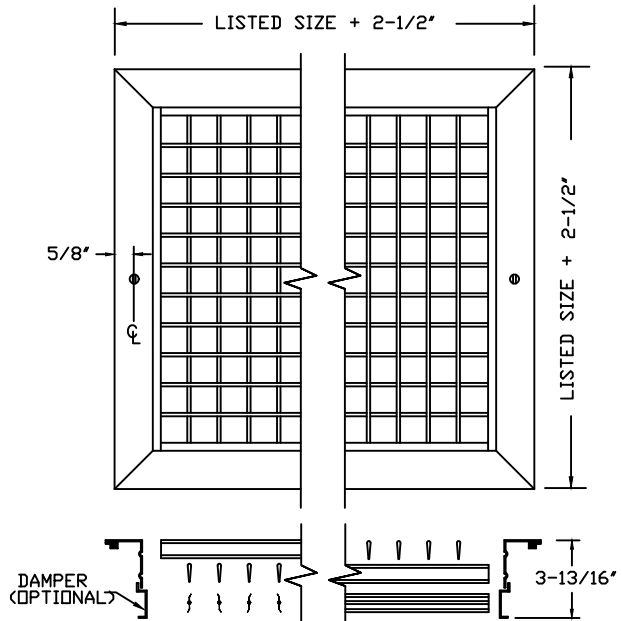
FINISH:

SKY-WHITE (STANDARD)
 MILL FINISH (OPTIONAL)

AXALTA SKY-WHITE 100% POLYESTER POWDER COATING GIVES AN ATTRACTIVE FINISH AND PROVIDES ADDITIONAL PROTECTION FROM AGING AND WEAR.

SIZES:

6" X 4" MIN
 48" X 36" MAX



| |
|---|
| JOB NAME: |
| LOCATION: |
| ARCHITECT: |
| ENGINEER: |
| CONTRACTOR: |
| CONTACT GRILLE TECH INC. FOR ADDITIONAL INFORMATION OR WITH SPECIAL REQUIREMENTS. |
| 5101 NW 36TH AVE MIAMI, FL 33142 PHONE: 305-537-0053 FAX: 305-537-0064 |
| WEB: WWW.GRILLETECHINC.COM EMAIL: SALES@GRILLETECHINC.COM |

MODEL EVH AND EHV
 ALUMINUM DOUBLE DEFLECTION SUPPLY

NOTE: ALL DRAWINGS SUBJECT TO CHANGE WITHOUT PRIOR NOTICE.

| | | | |
|----------------|---------------|---------------------|---------------------|
| DRAWN BY: MR | DATE: 7/04/17 | SCALE: NOT TO SCALE | DRAWING NO. EVH/EHV |
| CHECKED BY: IG | DATE: 7/31/17 | REVISION: 7/04/17 | |