

STANDARD CONSTRUCTION
FRAME:

0.032" THICK, ROLL FORMED ALUMINUM (0.045" THICK EXTRUDED ALUMINUM FOR UNITS WITH EITHER WIDTH OR HEIGHT 30" OR LARGER). FRAME IS ASSEMBLED USING CORNER CLIPS TO ASSURE HAIRLINE MITERED CORNERS.

BLADES:

0.030" THICK ROLL FORMED ALUMINUM.
1-WAY DEFLECTION.
ADJUSTABLE CURVE BLADE DESIGN.

VANES:

DEFLECTION VANES ARE EASILY SET WITHOUT USE OF SPECIAL TOOLS.

DAMPER:

MULTI-SHUTTER DAMPER IS EASILY ADJUSTED

DEPTH:

NARROW DEPTH OF DAMPER DESIGN ALLOWS GRILL/DAMPER COMBINATION TO BE USED IN STACKHEADS OF MINIMUM DEPTHS.

GASKET:

RUBBER GASKET IN COMPLIANCE WITH FLORIDA STATE BUILDING CODE

OPTIONAL:

MODEL PF PLASTER FRAMES ARE AVAILABLE

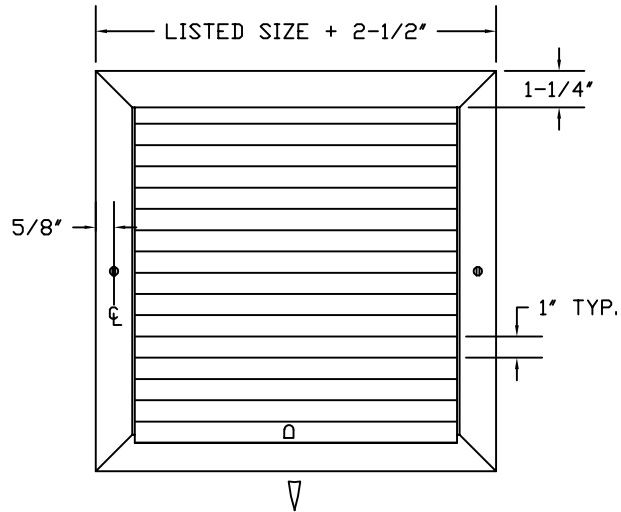
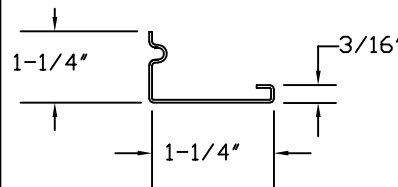
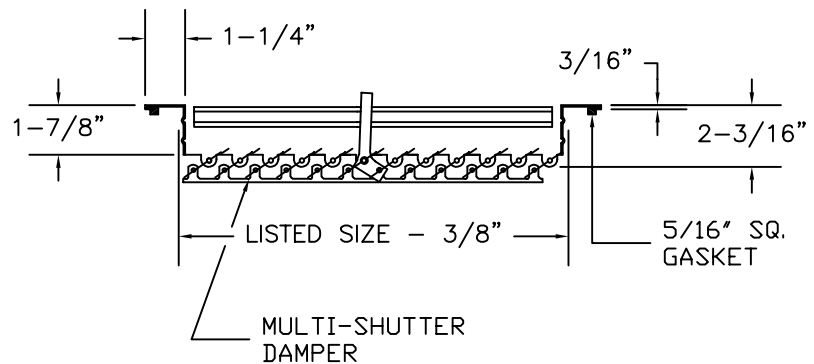
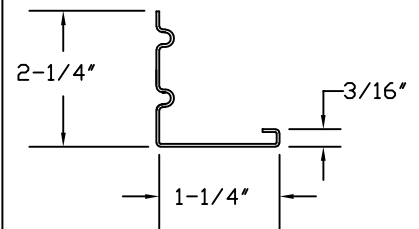
FINISH:

SKY-WHITE (STANDARD)
MILL FINISH (OPTIONAL)

AXALTA SKY-WHITE 100% POLYESTER POWDER COATING GIVES AN ATTRACTIVE BRIGHT WHITE FINISH AND PROVIDES ADDITIONAL PROTECTION FROM AGING AND WEAR.

SIZES:

4" X 4" MIN
36" X 36" MAX


STANDARD FRAME PROFILE

EXTRUDED FRAME PROFILE


JOB NAME:
LOCATION:
ARCHITECT:
ENGINEER:
CONTRACTOR:
CONTACT GRILLE TECH INC. FOR ADDITIONAL INFORMATION OR WITH SPECIAL REQUIREMENTS.
5101 NW 36TH AVE MIAMI, FL 33142 PHONE: 305-537-0053 FAX: 305-537-0064
WEB: WWW.GRILLETECHINC.COM EMAIL: SALES@GRILLETECHINC.COM

MODEL CL1M

CURVED BLADE LOUVERED FACE
1-WAY DEFLECTION GRILLE OR REGISTER
WITH MULTI-SHUTTER DAMPER

NOTE: ALL DRAWINGS SUBJECT TO CHANGE WITHOUT PRIOR NOTICE.

DRAWN BY: MR	DATE: 7/14/17	SCALE: NOT TO SCALE	DRAWING NO:
CHECKED BY: IG	DATE: 7/31/17	REVISION: 7/14/17	CL1M