

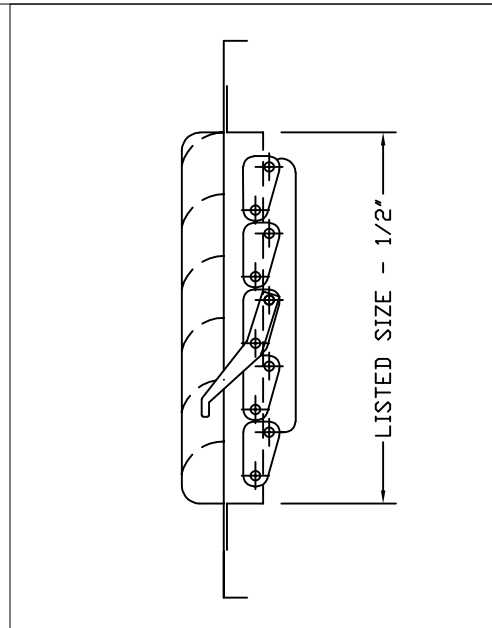
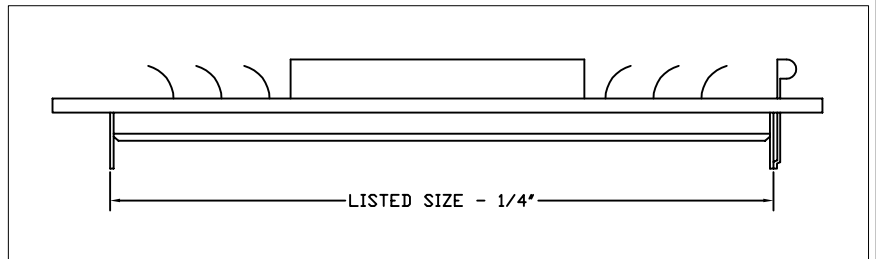
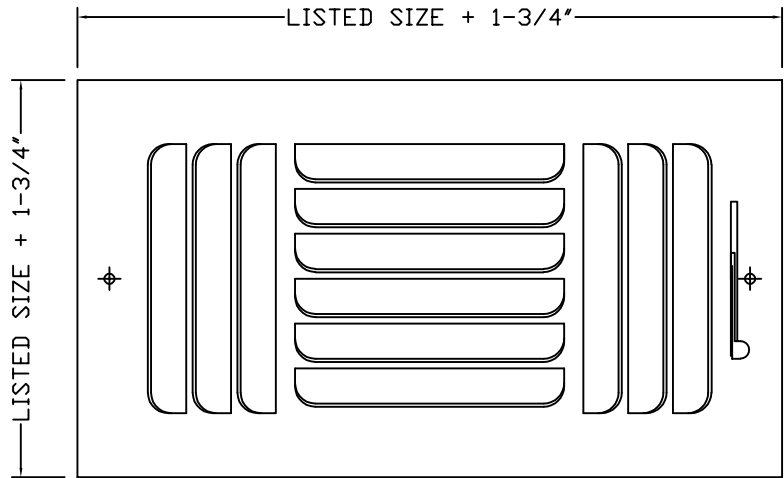
STANDARD CONSTRUCTION

MATERIAL:
STEEL CONSTRUCTION

FACE:
ONE-PIECE STAMPED FACE CONSTRUCTION
CURVED BLADE

FEATURES:
3-WAY DEFLECTION
CEILING APPLICATION
SMOOTH DAMPER OPERATION THROUGH FACE
STIFFENING RIBS FOR ADDED STRENGTH

FINISH:
DURABLE WHITE



JOB NAME:
LOCATION:
ARCHITECT:
ENGINEER:
CONTRACTOR:
CONTACT GRILLE TECH INC. FOR ADDITIONAL INFORMATION OR WITH SPECIAL REQUIREMENTS.
5101 NW 36TH AVE MIAMI, FL 33142 PHONE: 305-537-0053 FAX: 305-537-0064
WEB: WWW.GRILLETECHINC.COM EMAIL: SALES@GRILLETECHINC.COM

MODEL CB3W
CEILING REGISTER 3-WAY
CURVED BLADE

DRAWN BY: MR	DATE: 7/05/17	SCALE: NOT TO SCALE
CHECKED BY: IG	DATE: 7/31/17	REVISION: 7/05/17

DRAWING NO. **CB3W**

NOTE: ALL DRAWINGS SUBJECT TO CHANGE WITHOUT PRIOR NOTICE.