

**STANDARD CONSTRUCTION**

**MATERIAL:**  
0.028" THICK GALVANIZED STEEL

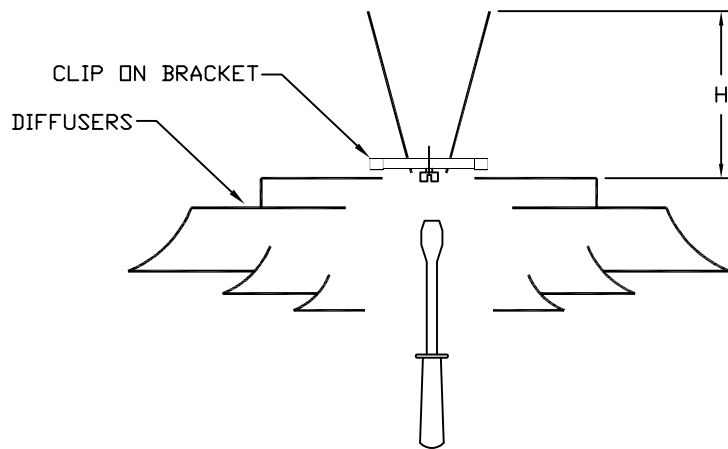
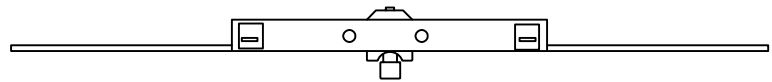
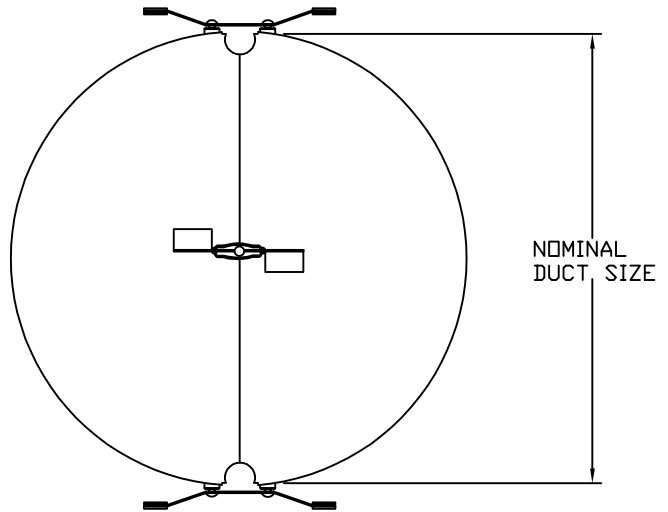
**BLADES:**  
BLADES ARE FULLY ADJUSTABLE FROM BOTTOM OF UNIT WITH SCREW DRIVER THROUGH OPENING.

**FINISH:**  
SKY-WHITE  
MILL FINISH

AXALTA SKY-WHITE 100% POLYESTER POWDER COATING GIVES AN ATTRACTIVE BRIGHT WHITE FINISH AND PROVIDES ADDITIONAL PROTECTION FROM AGING AND WEAR.

**SIZES:**  
AVAILABLE IN 6", 8", 10", 12" AND 14" DIAMETER

NOMINAL DUCT SIZE	H
6"	2-1/4"
8"	3-1/4"
10"	4-1/4"
12"	5-1/4"
14"	6-1/4"



JOB NAME:
LOCATION:
ARCHITECT:
ENGINEER:
CONTRACTOR:
<p>CONTACT GRILLE TECH INC. FOR ADDITIONAL INFORMATION OR WITH SPECIAL REQUIREMENTS.</p> <p>5101 NW 36TH AVE MIAMI, FL 33142 PHONE: 305-537-0053 FAX: 305-537-0064</p> <p>WEB: WWW.GRILLETECHINC.COM EMAIL: SALES@GRILLETECHINC.COM</p>

**MODEL BCD**  
**BUTTERFLY DAMPER**

DRAWN BY:	MR	DATE:	8/02/17	SCALE:	NOT TO SCALE	DRAWING NO.:	BCD
CHECKED BY:	ND	DATE:	8/31/17	REVISION:	8/02/17		