

STANDARD CONSTRUCTION
FRAME:

EXTRUDED ALUMINUM.
CORNER CLIPS ASSURE HAIRLINE MITERED CORNERS.
DESIGNED TO ACCOMMODATE 1" THICK WIRE-REINFORCED WASHABLE HOG HAIR FILTER (FILTER PROVIDED)

BLADES:

ROLL FORMED ALUMINUM.
ALL BLADES FIXED AT 45° IN AN ALL ALUMINUM CORE FRAME.

ACCESS DOORS:

MADE OF STUCCO EMBOSSED GALV-ALUM STEEL SHEET (AZ50) WITH A PERIMETER ALUMINUM CHANNEL AND 1" R-4.2 FOIL FACED FIBERGLASS BOARD FOR INSULATION AND SOUND ATTENUATION.

INSTALLATION:

ALLOW 2-1/2" CLEARANCE WHEN INSTALLING BELOW INDOOR UNIT.

FINISH:

SKY-WHITE (STANDARD)

AXALTA SKY-WHITE 100% POLYESTER POWDER COATING GIVES AN ATTRACTIVE BRIGHT WHITE FINISH AND PROVIDES ADDITIONAL PROTECTION FROM AGING AND WEAR

STANDARD SIZES:

	LG MULTI V LOW STATIC MODEL	GRILLE TECH INC PANEL
1	ARNU073,093L1G4	APRFLG073-093
2	ARNU123,153,183L2G4	APRFLG123-183
3	ARNU243L3G4	APRFLG243

FRAME CHART					
	MODEL	WIDTH	HEIGHT		
1	APRFLG073-093	31-3/4"	37-3/4"		
2	APRFLG123-183	40"	48-1/4"		
3	APRFLG243	47-1/4"	57"		
RETURN AIR CORE CHART			SERVICE DOOR CHART		
	WIDTH	HEIGHT		WIDTH	HEIGHT
1	31-1/2"	7-1/2"	1	31-1/2"	30"
2	39-3/4"	11-1/2"	2	39-3/4"	36-1/2"
3	47"	11-1/2"	3	47"	45-1/4"

JOB NAME: _____

LOCATION: _____

ARCHITECT: _____

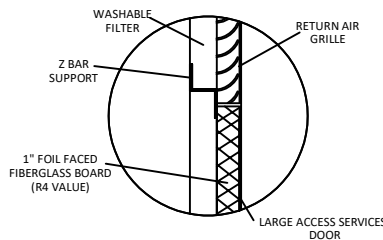
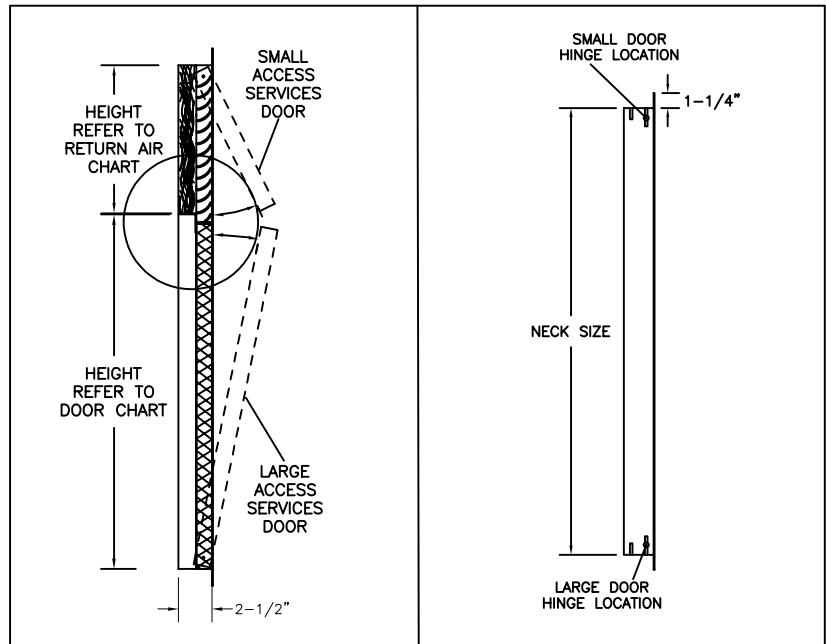
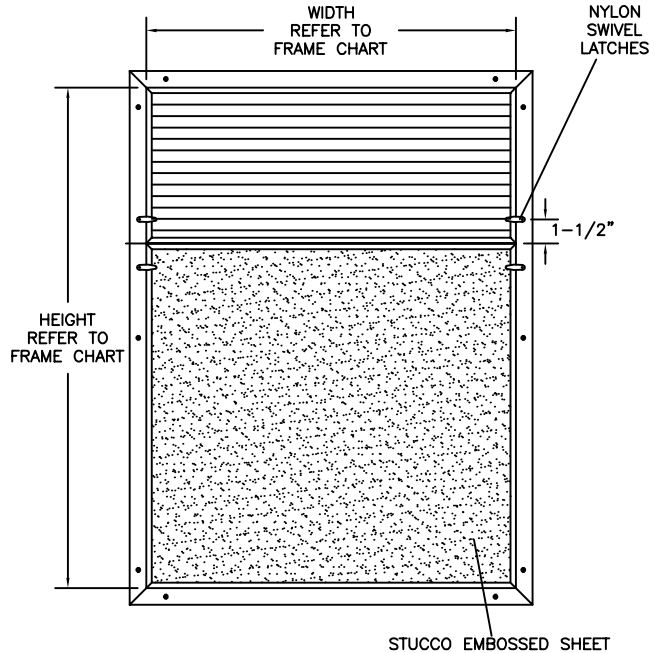
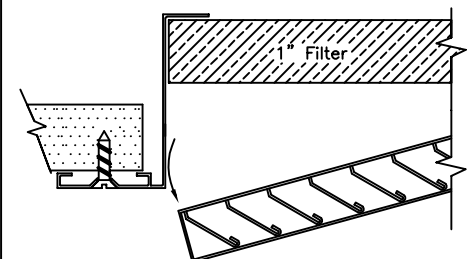
ENGINEER: _____

CONTRACTOR: _____

CONTACT GRILLE TECH INC. FOR ADDITIONAL INFORMATION OR WITH SPECIAL REQUIREMENTS.

5101 NW 36TH AVE
MIAMI, FL 33142
PHONE: 305-537-0053
FAX: 305-537-0064

WEB: WWW.GRILLETECHINC.COM
EMAIL: SALES@GRILLETECHINC.COM


STANDARD FASTENING DETAIL

LG MULTI V DUCTED LOW STATIC

ACCESS PANEL / RETURN AIR WITH FILTER
PRODUCT SPECIFICATIONS

NOTE: ALL DRAWINGS SUBJECT TO CHANGE WITHOUT PRIOR NOTICE.

DRAWN BY: MR	DATE: 4/16/19	SCALE: NOT TO SCALE	DRAWING NO. APRFLG
CHECKED BY: IG	DATE: 4/17/19	REVISION: 4/16/19	